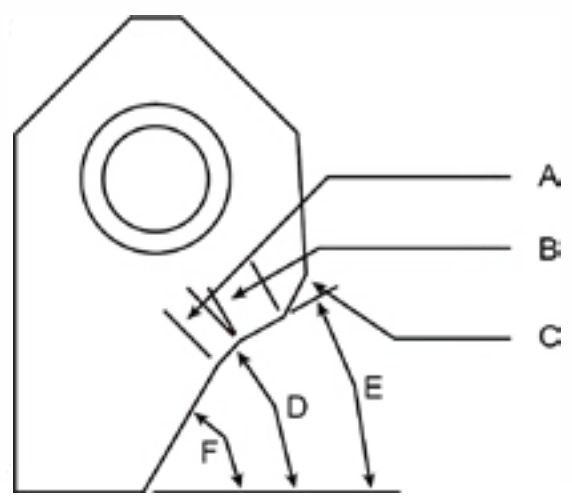




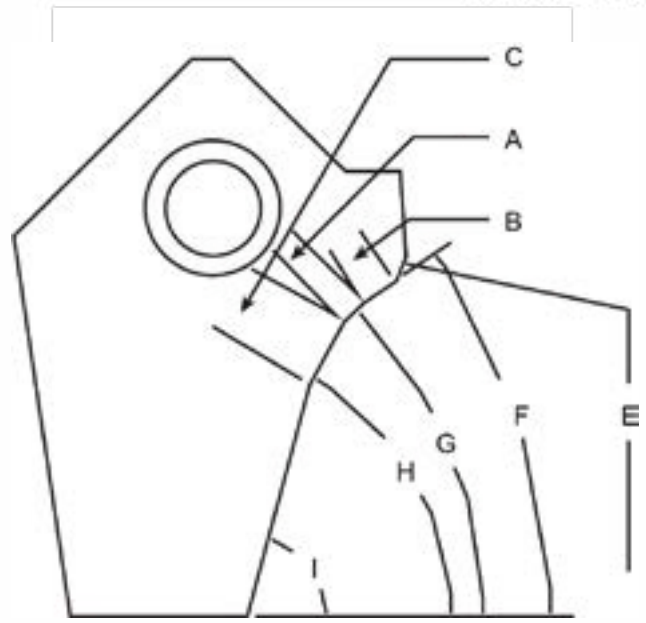
Custom Form for Special Profile Inserts A or B Style Inserts

Rottler A Style Insert (RCA profile)



Seat Angle Width (A) =	_____
Top Angle Width (B) =	_____
Seat Angle (D) =	_____
Top angle (E) =	_____
Throat Angle(F) =	_____
Top Radius (C) =	_____

Rottler B Style Insert (RCB profile)



Seat Angle (G) =	_____
Seat Angle Width (A) =	_____
Top Angle (F) =	_____
Top Angle Width (B) =	_____
Top Radius (E) =	_____
Throat Angle Width(C) =	_____
Throat Angle(H) =	_____
Throat Angle (I) =	_____
Throat Radius if preferred(I) =	_____

Customer Information

Company and Acct. #:	_____
Contact Person:	_____
Phone:	_____
Date:	_____

Prepared by Signature _____