

ROTTLER

LOCATOR CATALOG

4th Axis and Performance Fixtures



ORDERING PROCEDURE

Contact your regional Rottler sales rep for assistance in ordering optional equipment, replacement parts, or tooling.

If you are unable to contact your regional Rottler sales rep, call the factory at 253-872-7050 and ask to speak to the parts sales specialist.

Have the following information handy to expedite the ordering process:

1. Your name, business name, and contact number
2. Customer number
3. If you don't have a customer number, your billing address
4. Shipping address if different from billing address
5. Machine model and serial number
6. Part number and description of what you want to order
7. Preferred method of shipment

You may also contact us via e-mail with the above information. Send e-mail requests to: parts@rottermfg.com or intlparts@rottermfg.com

In some cases you may be requested to send a photo of the part you are ordering if it is a replacement part, or doesn't appear in the database.

If you are unsure which part you need to order, contact our service department and ask to speak to one of our service consultants. They will assist you in determining which part you require.

THERE IS A MINIMUM ORDER OF \$25.00



ROTTLER LOCATORS

Contents

Main & Cam Bearing Locator Assemblies for Rottler 4th Axis Fixture	6
Individual Main Locators for 4th Axis Fixtures	8
Individual CAM Locators for 4th Axis Fixtures	10
Main Bearing Locators for 650-3-1 Performance Fixture – Dual Size	21
Main Bearing Locators for 650-3-1 Performance Fixture – Single Size	23
Individual CAM Locators for Performance Fixture (650-3-1)	25

Main & Cam Bearing Locator Assemblies for Rottler 4th Axis Fixture

If Customer Requires Sizes Other than Available from Stock, Rottler Will Manufacture the Required Size.)

Note: Customer Must Provide the Size, Including Tolerance of the Bore/s the Locator will be used in. Rottler will use this information to Design the Actual Locator. Sold in Assemblies.



650-3-68 Locator Assembly (Small Block Chevy)

Locator Set Includes the following:

650-3-69 Rear Main Locator (2.6406-2.6421 BORE) (67.07mm-67.11mm)

650-3-69E Front Main Locator (2.6406-2.6421 BORE) (67.07mm-67.11mm)

650-3-70C Expanding Cam Locator (2.0090-2.0105 BORE) (51.033mm-51.07mm)

650-3-68A Locator Assembly (Ford 289/302)

Locator Set Includes the following:

650-3-69A Rear Main Locator (2.4412-2.4428 BORE) (62.01mm-62.05mm)

650-3-69F Front Main Locator (2.4412-2.4428 BORE) (62.01mm-62.05mm)

650-3-62Z Expanding Cam Locator (2.1440-2.1455 BORE) (54.46mm-54.50mm)

650-3-68B Locator Assembly (Big Block Chevy)

Locator Set Includes the following:

650-3-69B Rear Main Locator (2.9380-2.9395 BORE) (74.63mm-74.66mm)

650-3-69G Front Main Locator (2.9380-2.9395 BORE) (74.63mm-74.66mm)

650-3-62W Expanding Cam Locator (2.1295-2.1310 BORE) (54.08mm-54.13mm)

650-3-68C Locator Assembly (Ford 460)

Locator Set Includes the following:

650-3-69C Rear Main Locator (3.1922-3.1937 BORE) (81.08mm-81.12mm)

650-3-69H Front Main Locator (3.1922-3.1937 BORE) (81.08mm-81.12mm)

650-3-62X Expanding Cam Locator (2.2490-2.2505 BORE) (57.12mm-57.16mm)

650-3-68D Locator Assembly (Mopar 360)

Locator Set Includes the following:

650-3-69D Rear Main Locator (3.0025-3.0040 BORE) (76.26mm-76.30mm)

650-3-69J Front Main Locator (3.0025-3.0040 BORE) (76.26mm-76.30mm)

650-3-62Y Expanding Cam Locator (2.2490-2.2505 BORE) (57.12mm-57.16mm)

650-3-68E Locator Assembly (Chevy 63mm)

Locator Set Includes the following:

- 650-3-69 Rear Main Locator (2.6406-2.6421 BORE) (67.07mm-67.11mm)
- 650-3-69E Front Main Locator (2.6406-2.6421 BORE) (67.07mm-67.11mm)
- 650-3-70 Expanding Cam Locator (2.4780-2.4795 BORE) (62.94mm-62.98mm)

650-3-68F Locator Assembly (Chevy 58mm)

Locator Set Includes the following:

- 650-3-69 Rear Main Locator (2.6406-2.6421 BORE) (67.07mm-67.11mm)
- 650-3-69E Front Main Locator (2.6406-2.6421 BORE) (67.07mm-67.11mm)
- 650-3-70A Expanding Cam Locator (2.2820-2.2835 BORE) (57.96mm-58.00mm)

650-3-68G Locator Assembly (Chevy Bowtie)

Locator Set Includes the following:

- 650-3-69 Rear Main Locator (2.6406-2.6421 BORE) (67.07mm-67.11mm)
- 650-3-69E Front Main Locator (2.6406-2.6421 BORE) (67.07mm-67.11mm)
- 650-3-70B Expanding Cam Locator (1.9990-2.0005 BORE) (50.77mm-58.00mm)

650-3-68H Locator Assembly (Ford 351W)

Locator Set Includes the following:

- 650-3-69R Rear Main Locator (3.1912-3.1927 BORE) (81.06mm-81.09mm)
- 650-3-69S Front Main Locator (3.1912-3.1927 BORE) (81.06mm-81.09mm)
- 650-3-62Z Expanding Cam Locator (2.1440-2.1455 BORE) (54.46mm-54.50mm)

650-3-68J Locator Assembly (Small Block Chevy 400)

Locator Set Includes the following:

- 650-3-69T Rear Main Locator (2.8406-2.8415 BORE) (72.15mm-72.17mm)
- 650-3-69U Front Main Locator (2.8406-2.8415 BORE) (72.15mm-72.17mm)
- 650-3-70C Expanding Cam Locator (2.0090-2.0105 BORE) (51.033mm-51.07mm)

650-3-68K Locator Assembly (Mopar 318)

Locator Set Includes the following:

- 650-3-69P Rear Main Locator (2.6915-2.6930 BORE) (68.36mm-68.40mm)
- 650-3-69Q Front Main Locator (2.6915-2.6930 BORE) (68.36mm-68.40mm)
- 650-3-62Y Expanding Cam Locator (1.6920-1.6935 BORE) (42.98mm-43.01mm)

650-3-68L Locator Assembly (Chevy 327)

Locator Set Includes the following:

- 650-3-69K Rear Main Locator (2.4897-2.4912 BORE) (63.24mm-63.28mm)
- 650-3-69L Front Main Locator (2.4897-2.4912 BORE) (63.24mm-63.28mm)
- 650-3-70C Expanding Cam Locator (2.0090-2.0105 BORE) (51.033mm-51.07mm)

650-3-68M Locator Assembly (Chevy 5.3L ["99&UP])

Locator Set Includes the following:

- 650-3-69M Rear Main Locator (2.7509-2.7515 BORE) (69.87mm-69.89mm)
- 650-3-69N Front Main Locator (2.7509-2.7515 BORE) (69.87mm-69.89mm)
- 650-3-70C Expanding Cam Locator (2.0090-2.0105 BORE) (51.033mm-51.07mm)

650-3-68N Locator Assembly (Buick/Olds/Pontiac 350/400)

Locator Set Includes the following:

650-3-69X Rear Main Locator (3.1880-3.1895 BORE) (80.98mm-89.01mm)

650-3-69Y Front Main Locator (3.1880-3.1895 BORE) (80.98mm-89.01mm)

650-3-70E Expanding Cam Locator (2.0875-2.0890 BORE) (53.02mm-53.06mm)

650-3-68P Locator Assembly (Ford 351C)

Locator Set Includes the following:

650-3-69V Rear Main Locator (2.9417-2.9432 BORE) (74.72mm-74.76mm)

650-3-69W Front Main Locator (2.9417-2.9432 BORE) (74.72mm-74.76mm)

650-3-62Z Expanding Cam Locator (2.1440-2.1455 BORE) (54.46mm-54.50mm)

650-3-68Q Locator Assembly (Mopar 383/426/440)

Locator Set Includes the following:

650-3-69Z Rear Main Locator (2.9425-2.9440 BORE) (74.74mm-74.78mm)

650-3-71G Front Main Locator (2.9425-2.9440 BORE) (74.74mm-74.78mm)

650-3-70G Expanding Cam Locator (1.8795-1.8810 BORE) (47.74mm-47.78mm)

650-3-61V Cushion, Tailstock (Special Mopar 383/426/440)

650-3-68R Locator Assembly (GM GEN3 LS1/LS6)

Locator Set Includes the following:

650-10-6H Rear Main Locator (2.7499" - 2.7504" BORE) (69.85mm-69.86mm)

650-10-6J Front Main Locator (2.7499" - 2.7504" BORE) (69.85mm-69.86mm)

650-3-70H Expanding Cam Locator (2.3255-2.3270" BORE) (59.07mm-59.11mm)

650-3-68S Locator Assembly (GM 6.5L V8)

Locator Set Includes the following:

650-3-71B Rear Main Locator (3.1427-3.1437 BORE) (79.83mm-79.85mm)

650-3-71A Front Main Locator (3.1427-3.1437 BORE) (79.83mm-79.85mm)

650-3-70C Expanding Cam Locator (2.0090-2.0105 BORE) (51.033mm-51.070mm)

650-3-70U Expanding Cam Locator (2.1675-2.1685 BORE) (55.05mm-55.08mm)

650-3-68T Locator Assembly (Chevy LS7)

Locator Set Includes the following:

650-3-69M Rear Main Locator (2.7509-2.7515 BORE) (69.87mm-69.89mm)

650-3-69N Front Main Locator (2.7509-2.7515 BORE) (69.87mm-69.89mm)

650-3-83M Expanding Cam Locator (2.3450-2.3470 BORE) (59.58mm-59.63mm)

650-10-3W Locator Assembly (PORSCHE 997)

Locator Set Includes the following:

650-10-3T Rear Main Locator (4.1356" BORE)(105.04mm)

650-10-3U Front Main Locator (2.4420" BORE)(62.03mm)

650-3-95U Expanding Idler Locator (2.285 BORE)(58.04mm)

650-13 Locator Assembly (6.6 DURAMAX STD. BORE)

Locator Set Includes the following:

650-3-88Q Rear Main Locator (3.3464-3.3472 BORE)(84.99mm-85.01mm)

650-3-88R Front Main Locator (3.3464-3.3472 BORE)(84.99mm-85.01mm)

650-3-95R Expanding Cam Locator (2.5580-2.5600" BORE)(64.97mm-65.02mm)

650-13A Locator Assembly (6.6 DURAMAX +0.040" BORE)

Locator Set Includes the following:

650-10-8S Rear Main Locator (3.3864-3.3872 BORE)(86.01mm-86.03mm)

650-10-8T Front Main Locator (3.3864-3.3872 BORE)(86.01mm-86.03mm)

650-3-95R Expanding Cam Locator (2.5580-2.5600" BORE)(64.97mm-65.02mm)

650-13B Locator Assembly (6.0/6.4 POWERSTROKE STD. BORE)

Locator Set Includes the following:

650-10-1B Rear Main Locator (3.3854-3.3864 BORE)(85.989mm-86.015mm)

650-10-1C Front Main Locator (3.3854-3.3864 BORE)(85.989mm-86.015mm)

650-3-83L Expanding Cam Locator (2.5976-2.5992 BORE)(65.98mm-66.02mm)

650-13C Locator Assembly (6.0/6.4 POWERSTROKE +0.040" BORE)

Locator Set Includes the following:

650-10-8U Rear Main Locator (3.4254-3.4264 BORE)(87.01mm-87.03mm)

650-10-8V Front Main Locator (3.4254-3.4264 BORE)(87.01mm-87.03mm)

650-3-83L Expanding Cam Locator (2.5976-2.5992 BORE)(65.98mm-66.02mm)

650-13D Locator Assembly (6.7 POWERSTROKE STD. BORE)

Locator Set Includes the following:

650-10-2H Rear Main Locator (3.380-3.381 BORE)(85.85mm-85.88mm)

650-10-2J Front Main Locator (3.380-3.381 BORE)(85.85mm-85.88mm)

650-3-95Q Expanding Cam Locator (2.3600-2.3610" BORE)(59.94mm-59.97mm)

650-13E Locator Assembly (6.7 POWERSTROKE +0.040" BORE)

Locator Set Includes the following:

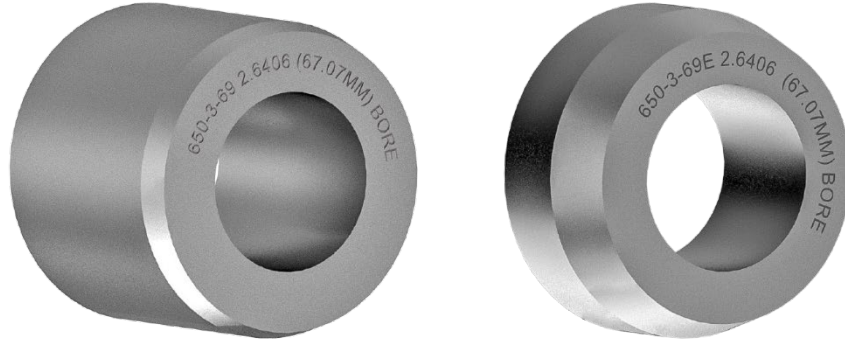
650-10-8W Rear Main Locator (3.4200-3.4210 BORE)(86.87mm-86.89mm)

650-10-8X Front Main Locator (3.4200-3.4210 BORE)(86.87mm-86.89mm)

650-3-95Q Expanding Cam Locator (2.3600-2.3610" BORE)(59.94mm-59.97mm)

Individual Main Locators for 4th Axis Fixture (690-3-63/690-3-70/5537A)

Note: Min/Max diameters below refer to minimum and maximum bore diameters that can accept the individual locator



PART NUMBER	DESCRIPTION	BORE DIAMETER			
		MIN. INCH	MAX. INCH	MIN. MM	MAX MM
650-10-8	REAR MAIN	2.0420	2.0426	51.87	51.88
650-10-8A	FRONT MAIN	2.0420	2.0426	51.87	51.88
650-3-88E	REAR MAIN	2.0472	2.0479	51.99	52.02
650-3-88F	FRONT MAIN	2.0472	2.0479	51.99	52.02
650-3-72S	FRONT MAIN	2.1190	2.1205	53.82	53.86
650-3-72H	REAR MAIN	2.1253	2.1263	53.98	54.00
650-3-72J	FRONT MAIN	2.1253	2.1263	53.98	54.00
650-10-8J	REAR MAIN	2.1295	2.1305	54.09	54.11
650-10-8K	FRONT MAIN	2.1295	2.1305	54.09	54.11
650-10-2T	REAR MAIN	2.1590	2.1600	54.84	54.86
650-10-2U	FRONT MAIN	2.1590	2.1600	54.84	54.86
650-10-8F	REAR MAIN	2.1644	2.1654	54.98	55.00
650-10-8G	FRONT MAIN	2.1644	2.1654	54.98	55.00
650-10-3	REAR MAIN	2.2047	2.2054	56.00	56.02
650-10-3A	FRONT MAIN	2.2047	2.2054	56.00	56.02
650-10-7Y	REAR MAIN	2.2047	2.2054	56.00	56.02
650-10-7Z	FRONT MAIN	2.2047	2.2054	56.00	56.02
650-10-7W	REAR MAIN	2.2441	2.2448	57.00	57.02
650-10-7X	FRONT MAIN	2.2441	2.2448	57.00	57.02
650-10-2V	REAR MAIN	2.2448	2.2455	57.02	57.04
650-10-2W	FRONT MAIN	2.2448	2.2455	57.02	57.04
650-10-6K	REAR MAIN	2.2495	2.2500	57.14	57.15
650-10-6L	FRONT MAIN	2.2495	2.2500	57.14	57.15
650-3-72T	REAR MAIN	2.2820	2.2835	57.96	58.00
650-3-88G	REAR MAIN	2.2995	2.3005	58.41	58.43
650-3-88H	FRONT MAIN	2.2995	2.3005	58.41	58.43
650-10-5E	REAR MAIN	2.3085	2.3095	58.64	58.66
650-10-5F	FRONT MAIN	2.3085	2.3095	58.64	58.66
650-10-8M	FRONT MAIN	2.3085	2.3100	58.64	58.67
650-10-8L	REAR MAIN	2.3086	2.3100	58.64	58.67
650-10-6Q	REAR MAIN	2.3089	2.3099	58.65	58.67
650-10-6R	FRONT MAIN	2.3089	2.3099	58.65	58.67



BORE DIAMETER					
PART NUMBER	DESCRIPTION	MIN. INCH	MAX. INCH	MIN. MM	MAX MM
650-10-2X	REAR MAIN	2.3206	2.3216	58.94	58.97
650-10-2Y	FRONT MAIN	2.3206	2.3216	58.94	58.97
650-3-72F	REAR MAIN	2.3228	2.3237	59.00	59.02
650-3-72G	FRONT MAIN	2.3228	2.3237	59.00	59.02
650-10-3H	REAR MAIN	2.3236	2.3243	59.02	59.04
650-10-3J	FRONT MAIN	2.3236	2.3243	59.02	59.04
650-10-6U	REAR MAIN	2.3622	2.3630	59.55	60.02
650-10-2Q	REAR MAIN	2.3866	2.3874	60.62	60.64
650-10-2R	FRONT MAIN	2.3866	2.3874	60.62	60.64
650-10-1F	REAR MAIN	2.3866	2.3874	60.62	60.64
650-10-1G	FRONT MAIN	2.3866	2.3874	60.62	60.64
650-10-4H	REAR MAIN	2.4016	2.4024	61.00	61.02
650-10-4J	FRONT MAIN	2.4016	2.4024	61.00	61.02
650-3-69A	REAR MAIN	2.4412	2.4428	62.01	62.05
650-3-69F	FRONT MAIN	2.4412	2.4428	62.01	62.05
650-10-3U	FRONT MAIN	2.4420	2.4430	62.03	62.05
650-10-3X	SPECIAL	2.4735	2.4763	62.83	62.90
650-3-72V	REAR MAIN	2.4780	2.4795	62.94	62.98
650-3-72W	FRONT MAIN	2.4780	2.4795	62.94	62.98
650-10-7N	FRONT MAIN	2.4809	2.4815	63.01	63.03
650-10-7P	REAR MAIN	2.4809	2.4815	63.01	63.03
650-3-69K	REAR MAIN	2.4897	2.4912	63.24	63.28
650-3-69L	FRONT MAIN	2.4897	2.4912	63.24	63.28
650-10-1V	REAR MAIN	2.4906	2.4916	63.26	63.29
650-10-1W	FRONT MAIN	2.4906	2.4916	63.26	63.29
650-12-2J	FRONT MAIN - SPECIAL	2.5000	2.5010	63.50	63.53
650-10-6S	REAR MAIN	2.5059	2.5066	63.65	63.67
650-10-6T	FRONT MAIN	2.5059	2.5066	63.65	63.67
650-3-88V	FRONT MAIN	2.5062	2.5069	63.66	63.68
650-3-88W	REAR MAIN	2.5062	2.5069	63.66	63.68
650-10-7T	REAR MAIN	2.5187	2.5197	63.97	64.00
650-3-72P	REAR MAIN	2.5187	2.5197	63.97	64.00
650-3-72Q	FRONT MAIN	2.5187	2.5197	63.97	64.00
650-10-3D	REAR MAIN	2.5195	2.5203	64.00	64.02
650-10-3E	FRONT MAIN	2.5195	2.5203	64.00	64.02
650-10-4	REAR MAIN	2.5210	2.5215	64.03	64.05
650-10-4A	FRONT MAIN	2.5210	2.5215	64.03	64.05
650-10-7U	REAR MAIN	2.5246	2.5252	64.12	64.14
650-10-7V	FRONT MAIN	2.5246	2.5252	64.12	64.14
650-10-6N	FRONT MAIN	2.5591	2.5594	65.00	65.01
650-10-6M	REAR MAIN	2.5591	2.5594	65.00	65.01
650-10-6P	FRONT MAIN	2.5591	2.5594	65.00	65.01



BORE DIAMETER					
PART NUMBER	DESCRIPTION	MIN. INCH	MAX. INCH	MIN. MM	MAX MM
650-10-1D	REAR MAIN	2.5902	2.5910	65.79	65.81
650-10-1E	FRONT MAIN	2.5902	2.5910	65.79	65.81
650-10-5	REAR MAIN	2.5905	2.5915	65.80	65.82
650-10-5A	FRONT MAIN	2.5905	2.5915	65.80	65.82
650-10-3B	REAR MAIN	2.5925	2.5934	74.99	75.02
650-10-3C	FRONT MAIN	2.5925	2.5934	74.99	75.02
650-10-6D	REAR MAIN	2.5980	2.5992	65.99	66.02
650-10-6E	FRONT MAIN	2.5980	2.5992	65.99	66.02
650-10-6Y	REAR MAIN	2.5992	2.5998	66.02	66.03
650-10-6Z	FRONT MAIN	2.5992	2.5998	66.02	66.03
650-10-8Y	REAR MAIN	2.6236	2.6244	66.64	66.66
650-10-8Z	FRONT MAIN	2.6236	2.6244	66.64	66.66
650-10-3F	REAR MAIN	2.6238	2.6243	66.64	66.66
650-10-3G	FRONT MAIN	2.6238	2.6243	66.64	66.66
650-3-69	REAR MAIN	2.6406	2.6412	67.07	67.09
650-3-69E	FRONT MAIN	2.6406	2.6412	67.07	67.09
650-10-5G	REAR MAIN	2.6411	2.6426	67.08	67.12
650-10-5H	FRONT MAIN	2.6411	2.6426	67.08	67.12
650-10-5J	REAR MAIN	2.6416	2.6431	67.00	67.14
650-10-5K	FRONT MAIN	2.6416	2.6431	67.00	67.14
650-10-7L	FRONT MAIN	2.6565	2.6570	67.48	67.49
650-10-7M	REAR MAIN	2.6565	2.6570	67.48	67.49
650-3-88L	REAR MAIN	2.6605	2.6615	67.58	67.60
650-3-88M	FRONT MAIN	2.6605	2.6615	67.58	67.60
650-10-4D	REAR MAIN	2.6700	2.6710	67.82	67.84
650-10-4E	FRONT MAIN	2.6700	2.6710	67.82	67.84
650-10-7	REAR MAIN	2.6700	2.6710	67.82	67.84
650-10-7A	FRONT MAIN	2.6700	2.6710	67.82	67.84
650-10-7Q	FRONT MAIN	2.6710	2.6720	67.84	67.87
650-10-7R	REAR MAIN	2.6710	2.6720	67.84	67.87
650-3-71R	REAR MAIN	2.6758	2.6760	67.97	67.97
650-3-71S	FRONT MAIN	2.6758	2.6760	67.97	67.97
650-3-88A	REAR MAIN	2.6763	2.6773	67.98	68.00
650-3-88B	FRONT MAIN	2.6763	2.6773	67.98	68.00
650-10-1P	REAR MAIN	2.6769	2.6776	67.99	68.01
650-10-1Q	FRONT MAIN	2.6769	2.6776	67.99	68.01
650-10-1K	REAR MAIN	2.6870	2.6880	68.25	68.28
650-10-1L	FRONT MAIN	2.6870	2.6880	68.25	68.28
650-10-2	REAR MAIN	2.6910	2.6920	68.35	68.38
650-10-2A	FRONT MAIN	2.6910	2.6920	68.35	68.38
650-3-69P	REAR MAIN	2.6915	2.6930	68.36	68.40
650-3-69Q	FRONT MAIN	2.6915	2.6930	68.36	68.40



BORE DIAMETER					
PART NUMBER	DESCRIPTION	MIN. INCH	MAX. INCH	MIN. MM	MAX MM
650-10-1T	REAR MAIN	2.6925	2.6930	68.39	68.40
650-10-1U	FRONT MAIN	2.6925	2.6930	68.39	68.40
650-10-2L	REAR MAIN	2.6925	2.6930	68.39	68.40
650-10-2M	FRONT MAIN	2.6925	2.6930	68.39	68.40
650-10-4F	REAR MAIN	2.6968	2.6978	68.50	68.52
650-10-4G	FRONT MAIN	2.6968	2.6978	68.50	68.52
650-10-4L	FRONT MAIN	2.6968	2.6978	68.50	68.52
650-10-1H	REAR MAIN	2.7120	2.7127	68.88	68.90
650-10-1J	FRONT MAIN	2.7120	2.7127	68.88	68.90
650-10-1M	REAR MAIN	2.7161	2.7169	68.99	69.01
650-10-1N	FRONT MAIN	2.7161	2.7169	68.99	69.01
650-10-6H	REAR MAIN	2.7499	2.7504	69.85	69.86
650-10-6J	FRONT MAIN	2.7499	2.7504	69.85	69.86
650-3-69M	REAR MAIN	2.7504	2.7515	69.86	69.89
650-3-69N	FRONT MAIN	2.7504	2.7515	69.86	69.89
650-3-82D	REAR MAIN	2.7509	2.7509	69.87	69.87
650-3-82E	FRONT MAIN	2.7509	2.7509	69.87	69.87
650-10-1R	REAR MAIN	2.7513	2.7518	69.88	69.90
650-10-1S	FRONT MAIN	2.7513	2.7518	69.88	69.90
650-10-6X	FRONT MAIN	2.7556	2.7566	69.99	70.02
650-10-8N	REAR MAIN	2.7556	2.7566	69.99	70.02
650-10-8P	FRONT MAIN	2.7556	2.7566	69.99	70.02
650-3-88X	FRONT MAIN	2.7556	2.7566	69.99	70.02
650-10-6	REAR MAIN	2.7565	2.7575	70.01	70.04
650-10-6A	FRONT MAIN	2.7565	2.7575	70.01	70.04
650-10-6F	REAR MAIN	2.7712	2.7717	70.39	70.40
650-10-6G	FRONT MAIN	2.7712	2.7717	70.39	70.40
650-3-71C	FRONT MAIN	2.8150	2.8160	71.50	71.53
650-3-71D	REAR MAIN	2.8150	2.8160	71.50	71.53
650-10-4M	REAR MAIN	2.8165	2.8175	71.54	71.56
650-10-4N	FRONT MAIN	2.8165	2.8175	71.54	71.56
650-3-72B	REAR MAIN	2.8175	2.8180	71.56	71.58
650-3-72C	FRONT MAIN	2.8175	2.8180	71.56	71.58
650-3-71H	FRONT MAIN	2.8340	2.8345	71.98	72.00
650-3-71J	REAR MAIN	2.8340	2.8345	71.98	72.00
650-3-69T	REAR MAIN	2.8406	2.8415	72.15	72.17
650-3-69U	FRONT MAIN	2.8406	2.8415	72.15	72.17
650-3-88T	FRONT MAIN	2.8490	2.8500	72.36	72.39
650-3-88U	REAR MAIN	2.8490	2.8500	72.36	72.39
650-10-4R	REAR MAIN	2.8554	2.8564	72.53	72.55
650-10-4S	FRONT MAIN	2.8554	2.8564	72.53	72.55
650-10-4V	REAR MAIN	2.8687	2.8694	72.86	72.88
650-10-4W	FRONT MAIN	2.8687	2.8694	72.86	72.88



BORE DIAMETER					
PART NUMBER	DESCRIPTION	MIN. INCH	MAX. INCH	MIN. MM	MAX MM
650-10-4P	REAR MAIN	2.8740	2.8747	73.00	73.02
650-10-4Q	FRONT MAIN	2.8740	2.8747	73.00	73.02
650-10-9	REAR MAIN	2.8745	2.8752	73.01	73.03
650-10-9A	FRONT MAIN	2.8745	2.8752	73.01	73.03
650-10-3Y	REAR MAIN	2.8800	2.8805	73.15	73.16
650-10-3Z	FRONT MAIN	2.8800	2.8805	73.15	73.16
650-10-7J	FRONT MAIN	2.8937	2.8944	73.49	73.52
650-10-7K	REAR MAIN	2.8937	2.8944	73.49	73.52
650-10-8Q	REAR MAIN	2.9372	2.9387	74.60	74.64
650-10-8R	FRONT MAIN	2.9372	2.9387	74.60	74.64
650-10-5B	FRONT MAIN	2.9380	2.9395	74.63	74.66
650-3-69B	REAR MAIN	2.9380	2.9395	74.63	74.66
650-3-69G	FRONT MAIN	2.9380	2.9395	74.63	74.66
650-10-8D	REAR MAIN	2.9412	2.9420	74.71	74.73
650-10-8E	FRONT MAIN	2.9412	2.9420	74.71	74.73
650-10-4B	FRONT MAIN	2.9417	2.9432	74.72	74.76
650-3-69V	REAR MAIN	2.9417	2.9432	74.72	74.76
650-3-69W	FRONT MAIN	2.9417	2.9432	74.72	74.76
650-3-71G	FRONT MAIN	2.9425	2.9440	74.74	74.78
650-3-69Z	REAR MAIN	2.9425	2.9440	74.74	74.78
650-3-71	FRONT MAIN	2.9425	2.9440	74.74	74.78
650-3-69D	REAR MAIN	3.0025	3.0040	76.26	76.30
650-3-69J	FRONT MAIN	3.0025	3.0040	76.26	76.30
650-10-4T	REAR MAIN	3.0308	3.0318	76.98	77.01
650-10-4U	FRONT MAIN	3.0308	3.0318	76.98	77.01
650-10-4X	REAR MAIN	3.0315	3.0324	77.00	77.02
650-10-4Y	FRONT MAIN	3.0315	3.0324	77.00	77.02
650-3-71U	FRONT MAIN	3.0696	3.0703	77.97	77.99
650-10-6B	REAR MAIN	3.0922	3.0930	78.54	78.56
650-10-6C	FRONT MAIN	3.0922	3.0930	78.54	78.56
650-3-71A	FRONT MAIN	3.1427	3.1437	79.82	79.85
650-3-71B	REAR MAIN	3.1427	3.1437	79.82	79.85
650-3-72K	REAR MAIN	3.1625	3.1637	80.33	80.36
650-3-72L	FRONT MAIN	3.1625	3.1637	80.33	80.36
650-3-69X	REAR MAIN	3.1880	3.1895	80.98	81.01
650-3-69Y	FRONT MAIN	3.1880	3.1895	80.98	81.01
650-3-69R	REAR MAIN	3.1912	3.1927	81.06	81.09
650-3-69S	FRONT MAIN	3.1912	3.1927	81.06	81.09
650-3-69C	REAR MAIN	3.1922	3.1937	81.08	81.12
650-3-69H	FRONT MAIN	3.1922	3.1937	81.08	81.12
650-3-88J	REAR MAIN	3.2495	3.2505	82.54	82.56
650-3-88K	FRONT MAIN	3.2495	3.2505	82.54	82.56

BORE DIAMETER					
PART NUMBER	DESCRIPTION	MIN. INCH	MAX. INCH	MIN. MM	MAX MM
650-10-1	REAR MAIN	3.3150	3.3160	84.20	84.23
650-10-1A	FRONT MAIN	3.3150	3.3160	84.20	84.23
650-3-71V	REAR MAIN	3.3152	3.3162	84.21	84.23
650-3-71W	FRONT MAIN	3.3152	3.3162	84.21	84.23
650-10-5S	REAR MAIN	3.3250	3.3260	84.46	84.48
650-10-5T	FRONT MAIN	3.3250	3.3260	84.46	84.48
650-3-88Q	REAR MAIN	3.3464	3.3472	84.99	85.01
650-3-88R	FRONT MAIN	3.3464	3.3472	84.99	85.01
650-10-7E	REAR MAIN	3.3655	3.3665	85.48	85.51
650-10-7F	REAR MAIN	3.3655	3.3665	85.48	85.51
650-10-7G	FRONT MAIN	3.3655	3.3665	85.48	85.51
650-10-7H	FRONT MAIN	3.3655	3.3665	85.48	85.51
650-10-2H	REAR MAIN	3.3800	3.3810	85.85	85.88
650-10-2J	FRONT MAIN	3.3800	3.3810	85.85	85.88
650-3-88S	FRONT MAIN	3.3854	3.3862	85.99	86.01
650-10-1B	REAR MAIN	3.3854	3.3864	85.99	86.02
650-10-1C	FRONT MAIN	3.3854	3.3864	85.99	86.02
650-3-72M	REAR MAIN	3.3854	3.3862	85.99	86.01
650-3-72N	FRONT MAIN	3.3854	3.3862	85.99	86.01
650-10-8S	REAR MAIN	3.3864	3.3872	86.01	86.03
650-10-8T	FRONT MAIN	3.3864	3.3872	86.01	86.03
650-10-8W	REAR MAIN	3.4200	3.4210	86.87	86.89
650-10-8X	FRONT MAIN	3.4200	3.4210	86.87	86.89
650-10-5C	REAR MAIN	3.4230	3.4240	86.94	86.97
650-10-5D	FRONT MAIN	3.4230	3.4240	86.94	86.97
650-10-8U	REAR MAIN	3.4254	3.4264	87.01	87.03
650-10-8V	FRONT MAIN	3.4254	3.4264	87.01	87.03
650-3-71X	REAR MAIN	3.4380	3.4390	87.33	87.35
650-3-71Y	FRONT MAIN	3.4380	3.4390	87.33	87.35
650-3-88N	REAR MAIN	3.4638	3.4652	87.98	88.02
650-3-88P	FRONT MAIN	3.4638	3.4652	87.98	88.02
650-10-5U	REAR MAIN	3.5827	3.5835	91.00	91.02
650-10-5V	FRONT MAIN	3.5827	3.5835	91.00	91.02
650-3-71P	FRONT MAIN	3.6869	3.6871	93.65	93.65
650-3-71Q	REAR MAIN	3.6869	3.6871	93.65	93.65
650-10-5Y	REAR MAIN	3.6885	3.6895	93.69	93.71
650-10-5Z	FRONT MAIN	3.6885	3.6895	93.69	93.71
650-10-2D	REAR MAIN	3.6910	3.6920	93.75	93.78
650-3-71M	FRONT MAIN	3.6960	3.7000	93.88	93.98
650-3-71N	REAR MAIN	3.6960	3.7000	93.88	93.98
650-10-8B	REAR MAIN	3.7070	3.7080	94.15	94.18
650-10-8C	FRONT MAIN	3.7070	3.7080	94.15	94.18



BORE DIAMETER					
PART NUMBER	DESCRIPTION	MIN. INCH	MAX. INCH	MIN. MM	MAX MM
650-10-5L	REAR MAIN	3.7397	3.7407	94.99	95.01
650-10-5M	FRONT MAIN	3.7397	3.7407	94.99	95.01
650-3-71Z	REAR MAIN	3.8504	3.8513	97.80	97.82
650-3-72A	FRONT MAIN	3.8504	3.8513	97.80	97.82
650-10-3T	REAR MAIN	4.1356	4.1366	105.40	105.07
650-10-5N	REAR MAIN	4.5640	4.5659	115.93	115.98
650-10-5P	FRONT MAIN	4.5640	4.5659	115.93	115.98
650-10-5Q	REAR MAIN	4.5664	4.5674	115.99	116.01
650-10-5R	FRONT MAIN	4.5664	4.5674	115.99	116.01

Individual Expanding CAM Locators for 4th Axis Fixtures (690-3-63/690-3-70/5537A)

Note: Min/Max diameters below refer to minimum and maximum bore diameters that can accept the individual locator



PART NUMBER	DESCRIPTION	BORE DIAMETER			
		MIN. INCH	MAX. INCH	MIN. MM	MAX MM
650-3-95Z	CAM EXPANDING	1.3740	1.3750	34.90	34.93
650-3-83H	CAM EXPANDING	1.5670	1.5680	39.80	39.83
650-11-1J	CAM EXPANDING	1.6305	1.6320	41.41	41.45
650-3-62Y	CAM EXPANDING	1.6920	1.6935	42.98	43.01
650-3-95P	CAM EXPANDING	1.7082	1.7097	43.39	43.43
650-11-1G	CAM EXPANDING	1.7115	1.7130	43.47	43.51
650-11-1D	CAM EXPANDING	1.7515	1.7530	44.49	44.53
650-3-70N	CAM EXPANDING	1.7955	1.7975	45.61	45.66
650-3-95J	CAM EXPANDING	1.8065	1.8097	45.89	45.97
650-3-70V	CAM EXPANDING	1.8480	1.8490	46.94	46.96
650-3-82C	CAM EXPANDING	1.8490	1.8505	46.96	47.00
650-3-95Y	CAM EXPANDING	1.8550	1.8560	47.12	47.14
650-11-1C	CAM EXPANDING	1.8745	1.8760	47.61	47.65
650-3-70G	CAM EXPANDING	1.8795	1.8810	47.74	47.78
650-3-70P	CAM EXPANDING	1.9155	1.9175	48.65	48.70
650-3-83B	CAM EXPANDING	1.9270	1.9280	48.95	48.97
650-11-1W	CAM EXPANDING	1.9275	1.9285	48.96	48.98
650-3-95H	CAM EXPANDING	1.9355	1.9375	49.16	49.21
650-3-70B	CAM EXPANDING	1.9990	2.0005	50.77	50.81
650-3-70C	CAM EXPANDING	2.0090	2.0105	51.03	51.07
650-3-83J	CAM EXPANDING	2.0190	2.0210	51.28	51.33
650-11-1Z	CAM EXPANDING	2.0290	2.0320	51.54	51.61
650-3-83G	CAM EXPANDING	2.0290	2.0305	51.54	51.57
650-3-70S	CAM EXPANDING	2.0297	2.0317	51.55	51.61
650-11-1F	CAM EXPANDING	2.0321	2.0336	51.62	51.65
650-3-83E	CAM EXPANDING	2.0380	2.0400	51.77	51.82
650-3-70R	CAM EXPANDING	2.0575	2.0585	52.26	52.29
650-3-95M	CAM EXPANDING	2.0825	2.0835	52.90	52.92
650-3-95C	CAM EXPANDING	2.0860	2.0875	52.98	53.02

PART NUMBER	DESCRIPTION	BORE DIAMETER			
		MIN. INCH	MAX. INCH	MIN. MM	MAX MM
650-3-70E	CAM EXPANDING	2.0875	2.0890	53.02	53.06
650-3-95S	CAM EXPANDING - SPECIAL EXTENDED	2.0930	2.0940	53.16	53.19
650-3-70W	CAM EXPANDING	2.1190	2.1205	53.82	53.86
650-3-70W	CAM EXPANDING	2.1190	2.1205	53.82	53.86
650-3-95B	CAM EXPANDING	2.1220	2.1230	53.90	53.92
650-3-70M	CAM EXPANDING	2.1255	2.1265	53.99	54.01
650-3-62W	CAM EXPANDING	2.1280	2.1295	54.05	54.09
650-11-1T	CAM EXPANDING	2.1395	2.1405	54.34	54.37
650-3-70Q	CAM EXPANDING	2.1410	2.1430	54.38	54.43
650-3-62Z	CAM EXPANDING	2.1440	2.1455	54.46	54.50
650-3-70K	CAM EXPANDING	2.1440	2.1455	54.46	54.50
650-3-95K	CAM EXPANDING	2.1531	2.1541	54.69	54.71
650-3-95F	CAM EXPANDING	2.1580	2.1589	54.81	54.84
650-3-83A	CAM EXPANDING	2.1653	2.1663	55.00	55.02
650-3-70U	CAM EXPANDING	2.1675	2.1685	55.05	55.08
650-11-4A	CAM EXPANDING	2.1684	2.1690	55.08	55.09
650-3-95L	CAM EXPANDING	2.1915	2.1925	55.66	55.69
650-3-83K	CAM EXPANDING	2.1995	2.2005	55.87	55.89
650-3-83Y	CAM EXPANDING	2.2030	2.2040	55.96	55.98
650-3-95N	CAM EXPANDING	2.2035	2.2055	55.97	56.02
650-11-1V	CAM EXPANDING - SPECIAL EXTENDED	2.2040	2.2050	55.98	56.01
650-3-83X	CAM EXPANDING	2.2045	2.2050	55.99	56.01
650-3-83F	CAM EXPANDING	2.2080	2.2090	56.08	56.11
650-3-70L	CAM EXPANDING	2.2305	2.2320	56.65	56.69
650-3-62X	CAM EXPANDING	2.2490	2.2505	57.12	57.16
650-11-1K	CAM EXPANDING	2.2528	2.2542	57.22	57.26
650-11-1U	CAM EXPANDING	2.2600	2.2610	57.40	57.43
650-11-4F	CAM EXPANDING	2.2645	2.2655	57.52	57.54
650-3-95T	CAM EXPANDING - SPECIAL EXTENDED	2.2670	2.2710	57.58	57.68
650-3-95D	CAM EXPANDING	2.2680	2.2720	57.61	57.71
650-3-70A	CAM EXPANDING	2.2820	2.2835	57.96	58.00
650-3-95U	CAM EXPANDING	2.2850	2.2865	58.04	58.08
650-3-95A	CAM EXPANDING	2.3000	2.3030	58.42	58.50
650-3-83	CAM EXPANDING	2.3070	2.3080	58.60	58.62
650-11-4	CAM EXPANDING	2.3095	2.3105	58.66	58.69
650-11-1Y	CAM EXPANDING	2.3140	2.3150	58.78	58.80
650-3-70H	CAM EXPANDING	2.3255	2.3270	59.07	59.11
650-11-1M	CAM EXPANDING	2.3270	2.3290	59.11	59.16
650-11-1L	CAM EXPANDING	2.3315	2.3330	59.22	59.26

BORE DIAMETER					
PART NUMBER	DESCRIPTION	MIN. INCH	MAX. INCH	MIN. MM	MAX MM
650-3-83M	CAM EXPANDING	2.3450	2.3470	59.56	59.61
650-3-70J	CAM EXPANDING	2.3475	2.3490	59.63	59.66
650-3-95Q	CAM EXPANDING	2.3600	2.3610	59.94	59.97
650-3-83U	CAM EXPANDING	2.3622	2.3637	60.00	60.04
650-3-70X	CAM EXPANDING	2.3745	2.3755	60.31	60.34
650-11-1S	CAM EXPANDING	2.3875	2.3885	60.64	60.67
650-11-4E	CAM EXPANDING	2.4000	2.4010	60.96	60.99
650-3-70Y	CAM EXPANDING	2.4000	2.4010	60.96	60.99
650-3-83R	CAM EXPANDING - SPECIAL 1" EXTENDED	2.4412	2.4427	62.01	62.04
650-3-95W	CAM EXPANDING	2.4735	2.4763	62.83	62.90
650-3-70F	CAM EXPANDING	2.4770	2.4780	62.92	62.94
650-3-70	CAM EXPANDING	2.4780	2.4795	62.94	62.98
650-3-95E	CAM EXPANDING	2.4980	2.5005	63.45	63.51
650-3-95V	CAM EXPANDING	2.5130	2.5140	63.83	63.86
650-11-1X	CAM EXPANDING	2.5428	2.5438	64.59	64.61
650-3-95R	CAM EXPANDING	2.5580	2.5600	64.97	65.02
650-3-83L	CAM EXPANDING	2.5967	2.5992	65.96	66.02
650-11-4C	CAM EXPANDING	2.5980	2.6000	65.99	66.04
650-11-4D	CAM EXPANDING	2.6376	2.6392	67.00	67.04
650-3-83C	CAM EXPANDING	2.6406	2.6416	67.07	67.10
650-3-83P	CAM EXPANDING - SPECIAL EXTENDED	2.6406	2.6416	67.07	67.10
650-11-4G	CAM EXPANDING	2.6520	2.6530	67.36	67.39
650-11-1R	CAM EXPANDING	2.6700	2.6725	67.82	67.88
650-11-1H	CAM EXPANDING	2.6730	2.6740	67.89	67.92
650-3-70T	CAM EXPANDING	2.6730	2.6740	67.89	67.92
650-11-4B	CAM EXPANDING	2.6748	2.6763	67.94	67.98
650-11-1	CAM EXPANDING - SPECIAL EXTENDED	2.6748	2.6763	67.94	67.98
650-3-70Z	CAM EXPANDING	2.6763	2.6773	67.98	68.00
650-11-1A	CAM EXPANDING	2.6920	2.6940	68.38	68.43
650-11-4J	CAM EXPANDING	2.7540	2.7550	69.95	69.98
650-11-1N	CAM EXPANDING	2.7549	2.7569	69.97	70.03
650-11-4H	CAM EXPANDING - SPECIAL EXTENDED	2.8800	2.8810	73.15	73.18
650-3-95X	CAM EXPANDING	2.8820	2.8830	73.20	73.23
650-3-83V	CAM EXPANDING	2.9370	2.9380	74.60	74.63
650-3-83Q	CAM EXPANDING - SPECIAL EXTENDED	2.9380	2.9395	74.63	74.66
650-3-95	CAM EXPANDING - SPECIAL 1" EXTENDED	2.9413	2.9423	74.71	74.73
650-3-83N	CAM EXPANDING	2.9423	2.9430	74.73	74.75



PART NUMBER	DESCRIPTION	BORE DIAMETER			
		MIN. INCH	MAX. INCH	MIN. MM	MAX MM
650-3-83W	CAM EXPANDING	3.0637	3.0645	77.82	77.84
650-11-1E	CAM EXPANDING - SPECIAL OFFSET	3.0670	3.0690	77.90	77.95
650-3-95G	CAM EXPANDING	3.0670	3.0690	77.90	77.95
650-11-1P	CAM EXPANDING	3.1884	3.1896	80.99	81.02
650-3-83S	CAM EXPANDING - SPECIAL 1" EXTENDED	3.1922	3.1937	81.08	81.12
650-11-1Q	CAM EXPANDING	3.3460	3.3480	84.99	85.04
650-11-1B	CAM EXPANDING	3.3500	3.3515	85.09	85.13

Main Bearing Locators for 650-3-1 Performance Fixture – Dual Size

If Customer Requires Sizes Other than Listed Below, Rottler will Manufacture the Required Size.

Customer Must Provide The Size, Including Tolerance, of the Bore/s the Locator will be used in. Rottler will use this Information to Design the Actual Locator. (Sold in Pairs)

Note: Min/Max diameters below refer to minimum and maximum bore diameters that can accept the individual locator



PART NUMBER	DESCRIPTION	BORE DIAMETER			
		MIN. INCH	MAX. INCH	MIN. MM	MAX MM
502-1-47R	PAIR - HONDA 2.2L - SUBARU 2.5L	2.1250	2.5185	53.98	63.97
502-1-48B	PAIR - MAIN BEARING LOCATORS	2.3196	2.5409	58.92	64.54
502-1-47M	PAIR - HONDA 1.8L - MITSUBISHI 2.0L	2.3216	2.4002	58.97	60.97
502-1-47E	PAIR - FORD V8(289/302) - MOPAR V8(360)	2.4397	3.0010	61.97	76.23
502-1-47L	PAIR - FORD ZETEC - FORD 4.6L	2.4528	2.8491	62.30	72.37
502-1-47G	PAIR - CHEVY V8(283/327 EARLY) - CHEVY V8(5.3L '99 AND NEWER) - CHEVY LS1	2.4892	2.7495	63.23	69.83
502-1-47A	PAIR - CHEVY V8(350/400SB) V6(4.3L/3.4L)	2.6391	2.8390	67.03	72.11
502-1-49G	PAIR - CHEVY LS/LT	2.6406	2.7509	67.07	69.87
502-1-47P	PAIR - TOYOTA V6(3.0L) - FORD POWERSTROKE V8(7.3L)	2.6770	2.3150	68.00	84.20
502-1-47B	PAIR - CHEVY V8(396/400SB/454) - BUICK V6(231)	2.6855	2.9365	68.21	74.59
502-1-47F	PAIR - MOPAR V8(318/340) - MOPAR V8(426/440)	2.6910	2.9410	68.35	74.70
502-1-48G	PAIR - NISSAN VQ-35	2.7556	2.9995	69.99	76.19



BORE DIAMETER					
PART NUMBER	DESCRIPTION	MIN. INCH	MAX. INCH	MIN. MM	MAX MM
502-1-49F	PAIR - CHEVY BIG BLOCK - FORD MOD/COY	2.8504	2.9370	72.40	74.60
502-1-47D	PAIR - FORD V8(351C) - FORD V8(351W/429/460)	2.9402	3.1907	74.68	81.04
502-1-47C	PAIR - BUICK/OLDS/PONTIAC V8(350/389/400) - BUICK/PONTIAC V8(421/428/455)	3.1866	3.4365	80.94	87.29

Main Bearing Locators for 650-3-1 Performance Fixture –Single Size

If Customer Requires Sizes Other than Listed Below, Rottler will Manufacture the Required Size.

Customer Must Provide The Size, Including Tolerance, of the Bore/s the Locator will be used in. Rottler will use this Information to Design the Actual Locator. (Sold in Pairs)

Note: Min/Max diameters below refer to minimum and maximum bore diameters that can accept the individual locator



PART NUMBER	DESCRIPTION	BORE DIAMETER			
		MIN. INCH	MAX. INCH	MIN. MM	MAX MM
502-1-48E	PAIR - MAIN BEARING LOCATORS	2.2347	2.2347	56.76	56.76
502-1-48C	PAIR - MAIN BEARING LOCATORS	2.3191	2.3191	58.91	58.91
502-1-48A	PAIR - MAIN BEARING LOCATORS	2.3615	2.3615		
502-1-48R	PAIR - MAIN BEARING LOCATORS	2.3963	2.3963	60.87	60.87
502-1-47T	PAIR - MAIN BEARING LOCATORS	2.4910	2.4920	63.27	63.30
502-1-48D	PAIR - MAIN BEARING LOCATORS	2.5044	2.5044	63.61	63.61
502-1-47Y	PAIR - MAIN BEARING LOCATORS	2.5184	2.5184	63.97	63.97
502-1-49A	PAIR - MAIN BEARING LOCATORS	2.5206	2.5206	64.02	64.02
502-1-48L	PAIR - MAIN BEARING LOCATORS	2.5561	2.5561	64.93	64.93
502-1-47Q	PAIR - HOLDEN V8	2.5906	2.5916	65.80	65.83
502-1-49B	PAIR - MAIN BEARING LOCATORS	2.5992	2.5992	66.01	66.01
502-1-47Z	PAIR - MAIN BEARING LOCATORS	2.6228	2.6228	66.62	66.62
502-1-47W	PAIR - MAIN BEARING LOCATORS	2.6601	2.6606	67.57	67.58
502-1-47X	PAIR - MAIN BEARING LOCATORS	2.6635	2.6635	67.65	67.65
502-1-48J	PAIR - MAIN BEARING LOCATORS	2.6690	2.6690	67.79	67.79
502-1-48V	PAIR - MAIN BEARING LOCATORS	2.7141	2.7141	68.94	68.94
502-1-47S	PAIR - MAIN BEARING LOCATORS	2.7190	2.7200	69.06	69.09
502-1-48H	PAIR - MAIN BEARING LOCATORS	2.7520	2.7520	69.90	69.90
502-1-48Y	PAIR - MAIN BEARING LOCATORS - AUDI V8	2.7565	2.7565	70.02	70.02
502-1-47U	PAIR - MAIN BEARING LOCATORS	2.8175	2.8180	71.57	71.58
502-1-48F	PAIR - MAIN BEARING LOCATORS	2.8330	2.8330	71.96	71.96
502-1-48W	PAIR - MAIN BEARING LOCATORS	2.8331	2.8331	71.97	71.97
502-1-48X	PAIR - MAIN BEARING LOCATORS	2.8700	2.8700	72.90	72.90
502-1-49	PAIR - MAIN BEARING LOCATORS	2.9144	2.9144	74.03	74.03
502-1-47N	PAIR - AMC/CHRYSLER	2.9396	2.9396	74.67	74.67



PART NUMBER	DESCRIPTION	BORE DIAMETER			
		MIN. INCH	MAX. INCH	MIN. MM	MAX MM
502-1-48K	PAIR - MAIN BEARING LOCATORS - CHRYSLER HEM 426 AND 440 WEDGE	2.9430	2.9430	74.75	74.75
502-1-48T	PAIR - MAIN BEARING LOCATORS	2.9512	2.9512	74.96	74.96
502-1-49C	PAIR - MAIN BEARING LOCATORS	2.9527	2.9527	75.00	75.00
502-1-47J	PAIR - 928 PORSCHE 48 5L	2.9530	2.9530	75.26	75.26
502-1-49D	PAIR - MAIN BEARING LOCATORS	3.0304	3.0304	77.00	77.00
502-1-47K	PAIR - GM 6.5L/395	3.1420	3.1420	79.81	79.81
502-1-48U	PAIR - MAIN BEARING LOCATORS	3.2269	3.2260	81.96	81.96
502-1-47H	PAIR - MAIN BEARING LOCATORS WITH SET SCREWS	3.3137	3.3137	84.17	84.17
502-1-48M	PAIR - MAIN BEARING LOCATORS	3.3454	3.3454	84.97	84.97
502-1-47V	PAIR - MAIN BEARING LOCATORS	3.3854	3.3862	85.99	86.01
502-1-48S	PAIR - MAIN BEARING LOCATORS	3.4645	3.4645	88.00	88.00
502-1-48N	PAIR - MAIN BEARING LOCATORS	3.7068	3.7068	94.15	94.15
502-1-48P	PAIR - MAIN BEARING LOCATORS	3.7510	3.7510	95.28	95.28
502-1-48Q	PAIR - MAIN BEARING LOCATORS	4.0610	4.0610	103.15	103.15

Individual CAM Locators for Performance Fixture (650-3-1)

If Customer Requires Sizes Other than Listed Below, Rottler will Manufacture the Required Size.

Customer Must Provide The Size, Including Tolerance, of the Bore/s the Locator will be used in. Rottler will use this Information to Design the Actual Locator.

Note: Min/Max diameters below refer to minimum and maximum bore diameters that can accept the individual locator



PART NUMBER	DESCRIPTION	BORE DIAMETER			
		MIN. INCH	MAX. INCH	MIN. MM	MAX MM
650-3-14F	SOLID CAM LOCATOR - SMALL BLOCK	1.6920	1.6930	42.98	43.00
650-3-15J	SOLID CAM LOCATOR	1.7098	1.7118	43.43	43.48
650-3-15U	SOLID CAM LOCATOR	1.7945	1.7945	45.58	45.58
650-3-16E	SOLID CAM LOCATOR	1.8490	1.8500	46.96	46.99
650-3-14M	SOLID CAM LOCATOR - SMALL BLOCK	1.8745	1.8750	47.61	47.63
650-3-14J	SOLID CAM LOCATOR - BIG BLOCK CHEVY	1.8795	1.8805	47.74	47.76
650-3-15L	SOLID CAM LOCATOR	1.9170	1.9170	48.69	48.69
650-3-16F	SOLID CAM LOCATOR	1.9275	1.9285	48.96	48.98
650-3-16K	SOLID CAM LOCATOR	1.9275	1.9285	48.96	48.98
650-3-15E	SOLID CAM LOCATOR	1.9355	1.9375	49.16	49.21
650-3-14Y	SOLID CAM LOCATOR	1.9685	1.9685	50.00	50.00
650-3-14R	SOLID CAM LOCATOR	1.9990	2.0010	50.77	50.83
650-3-14	SOLID CAM LOCATOR - SMALL BLOCK	2.0090	2.0110	51.03	51.08
650-3-14G	SOLID CAM LOCATOR - SMALL BLOCK	2.0190	2.0210	51.28	51.33
650-3-15H	SOLID CAM LOCATOR	2.0292	2.0310	51.54	51.59
650-3-14N	SOLID CAM LOCATOR	2.0297	2.0317	51.55	51.61
650-3-15N	SOLID CAM LOCATOR	2.0400	2.0415	51.82	51.85
650-3-15S	SOLID CAM LOCATOR	2.0450	2.0450	51.94	51.94

PART NUMBER	DESCRIPTION	BORE DIAMETER			
		MIN. INCH	MAX. INCH	MIN. MM	MAX MM
650-3-15R	SOLID CAM LOCATOR	2.0600	2.0615	52.32	52.36
650-3-14X	SOLID CAM LOCATOR	2.0880	2.0880	53.04	53.04
650-3-16B	SOLID CAM LOCATOR	2.0888	2.0895	53.06	53.07
650-3-14P	SOLID CAM LOCATOR	2.1200	2.1210	53.85	53.87
650-3-16S	SOLID CAM LOCATOR	2.1255	2.1255	53.99	53.99
650-3-14A	SOLID CAM LOCATOR - BIG BLOCK CHEVY	2.1295	2.1305	54.09	54.11
650-3-14E	SOLID CAM LOCATOR - SMALL BLOCK	2.1295	2.1305	54.09	54.11
650-3-14H	SOLID CAM LOCATOR - BIG BLOCK CHEVY	2.1395	2.1405	54.34	54.37
650-3-16J	SOLID CAM LOCATOR	2.1410	2.1420	54.38	54.41
650-3-14D	SOLID CAM LOCATOR - SMALL BLOCK	2.1440	2.1450	54.46	54.48
650-3-15K	SOLID CAM LOCATOR	2.1500	2.1500	54.61	54.61
650-3-15V	SOLID CAM LOCATOR	2.1580	2.1585	54.81	54.83
650-3-16P	SOLID CAM LOCATOR	2.1590	2.1600	54.84	54.86
650-3-14W	SOLID CAM LOCATOR	2.1680	2.1680	55.07	55.07
650-3-16A	SOLID CAM LOCATOR	2.1680	2.1695	55.07	55.11
650-3-16N	SOLID CAM LOCATOR	2.1740	2.1750	55.22	55.25
650-3-16M	SOLID CAM LOCATOR	2.1890	2.1900	55.60	55.63
650-3-14C	SOLID CAM LOCATOR - SMALL BLOCK	2.2041	2.2051	55.98	56.01
650-3-14Z	SOLID CAM LOCATOR	2.2305	2.2320	56.65	56.69
650-3-16R	SOLID CAM LOCATOR	2.2455	2.2455	57.04	57.04
650-3-14B	SOLID CAM LOCATOR - BIG BLOCK FORD	2.2485	2.2505	57.11	57.16
650-3-16G	SOLID CAM LOCATOR	2.2530	2.2545	57.23	57.26
650-3-14Q	SOLID CAM LOCATOR	2.2827	2.2831	57.98	57.99
650-3-15P	SOLID CAM LOCATOR	2.3000	2.3020	58.42	58.47
650-3-16T	SOLID CAM LOCATOR	2.3040	2.3040	58.52	58.52
650-3-15Z	SOLID CAM LOCATOR	2.3075	2.3085	58.61	58.64
650-3-14T	SOLID CAM LOCATOR - BIG BLOCK	2.3080	2.3090	58.62	58.65
650-3-15W	SOLID CAM LOCATOR	2.3161	2.3181	58.83	58.88
650-3-14S	SOLID CAM LOCATOR	2.3230	2.3240	59.00	59.03
650-3-16H	SOLID CAM LOCATOR	2.3270	2.3280	59.11	59.13
650-3-15G	SOLID CAM LOCATOR	2.3280	2.3290	59.13	59.16
650-3-15X	SOLID CAM LOCATOR	2.3450	2.3460	59.56	59.59
650-3-15Q	SOLID CAM LOCATOR	2.3500	2.3515	59.69	59.73
650-3-15M	SOLID CAM LOCATOR	2.3650	2.3650	60.07	60.07



BORE DIAMETER					
PART NUMBER	DESCRIPTION	MIN. INCH	MAX. INCH	MIN. MM	MAX MM
650-3-15F	SOLID CAM LOCATOR	2.4000	2.4401	60.96	61.98
650-3-16D	SOLID CAM LOCATOR	2.4226	2.4226	61.53	61.53
650-3-14K	SOLID CAM LOCATOR - BIG BLOCK CHEVY	2.4780	2.4790	62.94	62.97
650-3-14U	SOLID CAM LOCATOR	2.4985	2.5005	63.46	63.51
650-3-16L	SOLID CAM LOCATOR	2.5590	2.5605	65.00	65.04
650-3-14L	SOLID CAM LOCATOR	2.6733	2.6743	67.90	67.93
650-3-15Y	SOLID CAM LOCATOR	2.8305	2.8310	71.89	71.91