

ROTTLER

LOCATOR CATALOG

4th Axis and Performance Fixtures



ORDERING PROCEDURE

Contact your regional Rottler sales rep for assistance in ordering optional equipment, replacement parts, or tooling.

If you are unable to contact your regional Rottler sales rep, call the factory at 253-872-7050 and ask to speak to the parts sales specialist.

Have the following information handy to expedite the ordering process:

1. Your name, business name, and contact number
2. Customer number
3. If you don't have a customer number, your billing address
4. Shipping address if different from billing address
5. Machine model and serial number
6. Part number and description of what you want to order
7. Preferred method of shipment

You may also contact us via e-mail with the above information. Send e-mail requests to: parts@rottermfg.com or intlparts@rottermfg.com

In some cases you may be requested to send a photo of the part you are ordering if it is a replacement part, or doesn't appear in the database.

If you are unsure which part you need to order, contact our service department and ask to speak to one of our service consultants. They will assist you in determining which part you require.

THERE IS A MINIMUM ORDER OF \$25.00



Custom Locator Order Form

Company Name: _____

Account # _____

Contact Name: _____

Phone # _____

Contact Email: _____

Block Model _____

Main Bores

Part Number _____

Actual Front Main Bore Diameter _____ / _____ (Min/Max)

Tolerance on Front Main Bore Diameter _____

Part Number _____

Actual Rear Main Bore Diameter _____ / _____ (Min/Max)

Tolerance on Rear Main Bore Diameter _____

Cam Bores

Part Number _____

Actual Front Cam Bore Housing Diameter _____ / _____ (Min/Max)

Tolerance on Front Cam Bore Housing Diameter _____

Part Number _____

Actual Rear Cam Bore Housing Diameter _____ / _____ (Min/Max)

Tolerance on Rear Cam Bore Housing Diameter _____

Fixtures (Please check only one)

Performance Fixture

Automatic 4th Axis Block Rollover Fixture

Customer Signature _____

Customer signature authorizes Rottler Manufacturing to manufacture locators according to the specifications provided above by the customer. Customer is aware these are custom locators and cannot be returned.

For Rottler Use Only:

Routing PARTS _____ ENGINEERING _____ PARTS _____ PURCHASING _____ PARTS _____



ROTTLER LOCATORS

Contents

| | |
|---|-----------|
| Main & Cam Bearing Locator Assemblies for Rottler 4th Axis Fixture | 6 |
| Individual Main Locators for 4th Axis Fixtures | 8 |
| Individual CAM Locators for 4th Axis Fixtures | 10 |
| Main Bearing Locators for 650-3-1 Performance Fixture – Dual Size | 21 |
| Main Bearing Locators for 650-3-1 Performance Fixture – Single Size | 23 |
| Individual CAM Locators for Performance Fixture (650-3-1) | 25 |

Main & Cam Bearing Locator Assemblies for Rottler 4th Axis Fixture

If Customer Requires Sizes Other than Available from Stock, Rottler Will Manufacture the Required Size.)

Note: Customer Must Provide the Size, Including Tolerance of the Bore/s the Locator will be used in. Rottler will use this information to Design the Actual Locator. Sold in Assemblies.



650-3-68 Locator Assembly (Small Block Chevy)

Locator Set Includes the following:

650-3-69 Rear Main Locator (2.6406-2.6421 BORE) (67.07mm-67.11mm)

650-3-69E Front Main Locator (2.6406-2.6421 BORE) (67.07mm-67.11mm)

650-3-70C Expanding Cam Locator (2.0090-2.0105 BORE) (51.033mm-51.07mm)

650-3-68A Locator Assembly (Ford 289/302)

Locator Set Includes the following:

650-3-69A Rear Main Locator (2.4412-2.4428 BORE) (62.01mm-62.05mm)

650-3-69F Front Main Locator (2.4412-2.4428 BORE) (62.01mm-62.05mm)

650-3-62Z Expanding Cam Locator (2.1440-2.1455 BORE) (54.46mm-54.50mm)

650-3-68B Locator Assembly (Big Block Chevy)

Locator Set Includes the following:

650-3-69B Rear Main Locator (2.9380-2.9395 BORE) (74.63mm-74.66mm)

650-3-69G Front Main Locator (2.9380-2.9395 BORE) (74.63mm-74.66mm)

650-3-62W Expanding Cam Locator (2.1295-2.1310 BORE) (54.08mm-54.13mm)

650-3-68C Locator Assembly (Ford 460)

Locator Set Includes the following:

650-3-69C Rear Main Locator (3.1922-3.1937 BORE) (81.08mm-81.12mm)

650-3-69H Front Main Locator (3.1922-3.1937 BORE) (81.08mm-81.12mm)

650-3-62X Expanding Cam Locator (2.2490-2.2505 BORE) (57.12mm-57.16mm)

650-3-68D Locator Assembly (Mopar 360)

Locator Set Includes the following:

650-3-69D Rear Main Locator (3.0025-3.0040 BORE) (76.26mm-76.30mm)

650-3-69J Front Main Locator (3.0025-3.0040 BORE) (76.26mm-76.30mm)

650-3-62Y Expanding Cam Locator (2.2490-2.2505 BORE) (57.12mm-57.16mm)

650-3-68E Locator Assembly (Chevy 63mm)

Locator Set Includes the following:

- 650-3-69 Rear Main Locator (2.6406-2.6421 BORE) (67.07mm-67.11mm)
- 650-3-69E Front Main Locator (2.6406-2.6421 BORE) (67.07mm-67.11mm)
- 650-3-70 Expanding Cam Locator (2.4780-2.4795 BORE) (62.94mm-62.98mm)

650-3-68F Locator Assembly (Chevy 58mm)

Locator Set Includes the following:

- 650-3-69 Rear Main Locator (2.6406-2.6421 BORE) (67.07mm-67.11mm)
- 650-3-69E Front Main Locator (2.6406-2.6421 BORE) (67.07mm-67.11mm)
- 650-3-70A Expanding Cam Locator (2.2820-2.2835 BORE) (57.96mm-58.00mm)

650-3-68G Locator Assembly (Chevy Bowtie)

Locator Set Includes the following:

- 650-3-69 Rear Main Locator (2.6406-2.6421 BORE) (67.07mm-67.11mm)
- 650-3-69E Front Main Locator (2.6406-2.6421 BORE) (67.07mm-67.11mm)
- 650-3-70B Expanding Cam Locator (1.9990-2.0005 BORE) (50.77mm-58.00mm)

650-3-68H Locator Assembly (Ford 351W)

Locator Set Includes the following:

- 650-3-69R Rear Main Locator (3.1912-3.1927 BORE) (81.06mm-81.09mm)
- 650-3-69S Front Main Locator (3.1912-3.1927 BORE) (81.06mm-81.09mm)
- 650-3-62Z Expanding Cam Locator (2.1440-2.1455 BORE) (54.46mm-54.50mm)

650-3-68J Locator Assembly (Small Block Chevy 400)

Locator Set Includes the following:

- 650-3-69T Rear Main Locator (2.8406-2.8415 BORE) (72.15mm-72.17mm)
- 650-3-69U Front Main Locator (2.8406-2.8415 BORE) (72.15mm-72.17mm)
- 650-3-70C Expanding Cam Locator (2.0090-2.0105 BORE) (51.033mm-51.07mm)

650-3-68K Locator Assembly (Mopar 318)

Locator Set Includes the following:

- 650-3-69P Rear Main Locator (2.6915-2.6930 BORE) (68.36mm-68.40mm)
- 650-3-69Q Front Main Locator (2.6915-2.6930 BORE) (68.36mm-68.40mm)
- 650-3-62Y Expanding Cam Locator (1.6920-1.6935 BORE) (42.98mm-43.01mm)

650-3-68L Locator Assembly (Chevy 327)

Locator Set Includes the following:

- 650-3-69K Rear Main Locator (2.4897-2.4912 BORE) (63.24mm-63.28mm)
- 650-3-69L Front Main Locator (2.4897-2.4912 BORE) (63.24mm-63.28mm)
- 650-3-70C Expanding Cam Locator (2.0090-2.0105 BORE) (51.033mm-51.07mm)

650-3-68M Locator Assembly (Chevy 5.3L ["99&UP])

Locator Set Includes the following:

- 650-3-69M Rear Main Locator (2.7509-2.7515 BORE) (69.87mm-69.89mm)
- 650-3-69N Front Main Locator (2.7509-2.7515 BORE) (69.87mm-69.89mm)
- 650-3-70C Expanding Cam Locator (2.0090-2.0105 BORE) (51.033mm-51.07mm)

650-3-68N Locator Assembly (Buick/Olds/Pontiac 350/400)

Locator Set Includes the following:

- 650-3-69X Rear Main Locator (3.1880-3.1895 BORE) (80.98mm-89.01mm)
- 650-3-69Y Front Main Locator (3.1880-3.1895 BORE) (80.98mm-89.01mm)
- 650-3-70E Expanding Cam Locator (2.0875-2.0890 BORE) (53.02mm-53.06mm)

650-3-68P Locator Assembly (Ford 351C)

Locator Set Includes the following:

- 650-3-69V Rear Main Locator (2.9417-2.9432 BORE) (74.72mm-74.76mm)
- 650-3-69W Front Main Locator (2.9417-2.9432 BORE) (74.72mm-74.76mm)
- 650-3-62Z Expanding Cam Locator (2.1440-2.1455 BORE) (54.46mm-54.50mm)

650-3-68Q Locator Assembly (Mopar 383/426/440)

Locator Set Includes the following:

- 650-3-69Z Rear Main Locator (2.9425-2.9440 BORE) (74.74mm-74.78mm)
- 650-3-71G Front Main Locator (2.9425-2.9440 BORE) (74.74mm-74.78mm)
- 650-3-70G Expanding Cam Locator (1.8795-1.8810 BORE) (47.74mm-47.78mm)
- 650-3-61V Cushion, Tailstock (Special Mopar 383/426/440)

650-3-68R Locator Assembly (GM GEN3 LS1/LS6)

Locator Set Includes the following:

- 650-10-6H Rear Main Locator (2.7499" - 2.7504" BORE) (69.85mm-69.86mm)
- 650-10-6J Front Main Locator (2.7499" - 2.7504" BORE) (69.85mm-69.86mm)
- 650-3-70H Expanding Cam Locator (2.3255-2.3270" BORE) (59.07mm-59.11mm)

650-3-68S Locator Assembly (GM 6.5L V8)

Locator Set Includes the following:

- 650-3-71B Rear Main Locator (3.1427-3.1437 BORE) (79.83mm-79.85mm)
- 650-3-71A Front Main Locator (3.1427-3.1437 BORE) (79.83mm-79.85mm)
- 650-3-70C Expanding Cam Locator (2.0090-2.0105 BORE) (51.033mm-51.070mm)
- 650-3-70U Expanding Cam Locator (2.1675-2.1685 BORE) (55.05mm-55.08mm)

650-3-68T Locator Assembly (Chevy LS7)

Locator Set Includes the following:

- 650-3-69M Rear Main Locator (2.7509-2.7515 BORE) (69.87mm-69.89mm)
- 650-3-69N Front Main Locator (2.7509-2.7515 BORE) (69.87mm-69.89mm)
- 650-3-83M Expanding Cam Locator (2.3450-2.3470 BORE) (59.58mm-59.63mm)

650-10-3W Locator Assembly (PORSCHE 997)

Locator Set Includes the following:

- 650-10-3T Rear Main Locator (4.1356" BORE)(105.04mm)
- 650-10-3U Front Main Locator (2.4420" BORE)(62.03mm)
- 650-3-95U Expanding Idler Locator (2.285 BORE)(58.04mm)

650-13 Locator Assembly (6.6 DURAMAX STD. BORE)

Locator Set Includes the following:

650-3-88Q Rear Main Locator (3.3464-3.3472 BORE)(84.99mm-85.01mm)

650-3-88R Front Main Locator (3.3464-3.3472 BORE)(84.99mm-85.01mm)

650-3-95R Expanding Cam Locator (2.5580-2.5600" BORE)(64.97mm-65.02mm)

650-13A Locator Assembly (6.6 DURAMAX +0.040" BORE)

Locator Set Includes the following:

650-10-8S Rear Main Locator (3.3864-3.3872 BORE)(86.01mm-86.03mm)

650-10-8T Front Main Locator (3.3864-3.3872 BORE)(86.01mm-86.03mm)

650-3-95R Expanding Cam Locator (2.5580-2.5600" BORE)(64.97mm-65.02mm)

650-13B Locator Assembly (6.0/6.4 POWERSTROKE STD. BORE)

Locator Set Includes the following:

650-10-1B Rear Main Locator (3.3854-3.3864 BORE)(85.989mm-86.015mm)

650-10-1C Front Main Locator (3.3854-3.3864 BORE)(85.989mm-86.015mm)

650-3-83L Expanding Cam Locator (2.5976-2.5992 BORE)(65.98mm-66.02mm)

650-13C Locator Assembly (6.0/6.4 POWERSTROKE +0.040" BORE)

Locator Set Includes the following:

650-10-8U Rear Main Locator (3.4254-3.4264 BORE)(87.01mm-87.03mm)

650-10-8V Front Main Locator (3.4254-3.4264 BORE)(87.01mm-87.03mm)

650-3-83L Expanding Cam Locator (2.5976-2.5992 BORE)(65.98mm-66.02mm)

650-13D Locator Assembly (6.7 POWERSTROKE STD. BORE)

Locator Set Includes the following:

650-10-2H Rear Main Locator (3.380-3.381 BORE)(85.85mm-85.88mm)

650-10-2J Front Main Locator (3.380-3.381 BORE)(85.85mm-85.88mm)

650-3-95Q Expanding Cam Locator (2.3600-2.3610" BORE)(59.94mm-59.97mm)

650-13E Locator Assembly (6.7 POWERSTROKE +0.040" BORE)

Locator Set Includes the following:

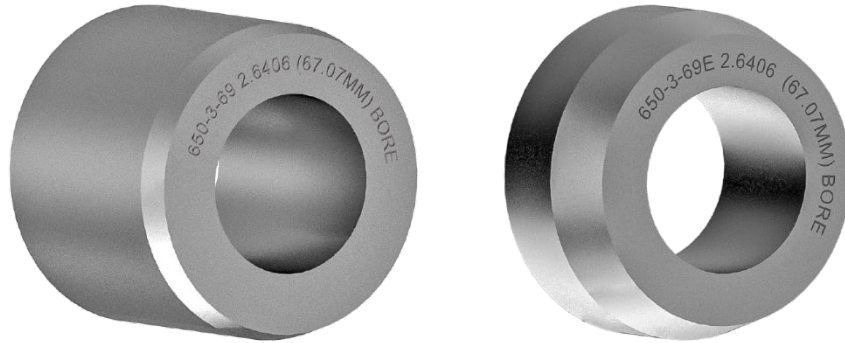
650-10-8W Rear Main Locator (3.4200-3.4210 BORE)(86.87mm-86.89mm)

650-10-8X Front Main Locator (3.4200-3.4210 BORE)(86.87mm-86.89mm)

650-3-95Q Expanding Cam Locator (2.3600-2.3610" BORE)(59.94mm-59.97mm)

Individual Main Locators for 4th Axis Fixture (690-3-63/690-3-70/5537A)

Note: Min/Max diameters below refer to minimum and maximum bore diameters that can accept the individual locator



| PART NUMBER | DESCRIPTION | BORE DIAMETER | | | |
|-------------|-------------|---------------|-----------|---------|--------|
| | | MIN. INCH | MAX. INCH | MIN. MM | MAX MM |
| 650-10-8 | REAR MAIN | 2.0420 | 2.0426 | 51.87 | 51.88 |
| 650-10-8A | FRONT MAIN | 2.0420 | 2.0426 | 51.87 | 51.88 |
| 650-3-88E | REAR MAIN | 2.0472 | 2.0479 | 51.99 | 52.02 |
| 650-3-88F | FRONT MAIN | 2.0472 | 2.0479 | 51.99 | 52.02 |
| 650-3-72S | FRONT MAIN | 2.1190 | 2.1205 | 53.82 | 53.86 |
| 650-3-72H | REAR MAIN | 2.1253 | 2.1263 | 53.98 | 54.00 |
| 650-3-72J | FRONT MAIN | 2.1253 | 2.1263 | 53.98 | 54.00 |
| 650-10-8J | REAR MAIN | 2.1295 | 2.1305 | 54.09 | 54.11 |
| 650-10-8K | FRONT MAIN | 2.1295 | 2.1305 | 54.09 | 54.11 |
| 650-10-2T | REAR MAIN | 2.1590 | 2.1600 | 54.84 | 54.86 |
| 650-10-2U | FRONT MAIN | 2.1590 | 2.1600 | 54.84 | 54.86 |
| 650-10-8F | REAR MAIN | 2.1644 | 2.1654 | 54.98 | 55.00 |
| 650-10-8G | FRONT MAIN | 2.1644 | 2.1654 | 54.98 | 55.00 |
| 650-10-3 | REAR MAIN | 2.2047 | 2.2054 | 56.00 | 56.02 |
| 650-10-3A | FRONT MAIN | 2.2047 | 2.2054 | 56.00 | 56.02 |
| 650-10-7Y | REAR MAIN | 2.2047 | 2.2054 | 56.00 | 56.02 |
| 650-10-7Z | FRONT MAIN | 2.2047 | 2.2054 | 56.00 | 56.02 |
| 650-10-7W | REAR MAIN | 2.2441 | 2.2448 | 57.00 | 57.02 |
| 650-10-7X | FRONT MAIN | 2.2441 | 2.2448 | 57.00 | 57.02 |
| 650-10-2V | REAR MAIN | 2.2448 | 2.2455 | 57.02 | 57.04 |
| 650-10-2W | FRONT MAIN | 2.2448 | 2.2455 | 57.02 | 57.04 |
| 650-10-6K | REAR MAIN | 2.2495 | 2.2500 | 57.14 | 57.15 |
| 650-10-6L | FRONT MAIN | 2.2495 | 2.2500 | 57.14 | 57.15 |
| 650-3-72T | REAR MAIN | 2.2820 | 2.2835 | 57.96 | 58.00 |
| 650-3-88G | REAR MAIN | 2.2995 | 2.3005 | 58.41 | 58.43 |
| 650-3-88H | FRONT MAIN | 2.2995 | 2.3005 | 58.41 | 58.43 |
| 650-10-5E | REAR MAIN | 2.3085 | 2.3095 | 58.64 | 58.66 |
| 650-10-5F | FRONT MAIN | 2.3085 | 2.3095 | 58.64 | 58.66 |
| 650-10-8M | FRONT MAIN | 2.3085 | 2.3100 | 58.64 | 58.67 |
| 650-10-8L | REAR MAIN | 2.3086 | 2.3100 | 58.64 | 58.67 |
| 650-10-6Q | REAR MAIN | 2.3089 | 2.3099 | 58.65 | 58.67 |
| 650-10-6R | FRONT MAIN | 2.3089 | 2.3099 | 58.65 | 58.67 |



| BORE DIAMETER | | | | | |
|---------------|----------------------|-----------|-----------|---------|--------|
| PART NUMBER | DESCRIPTION | MIN. INCH | MAX. INCH | MIN. MM | MAX MM |
| 650-10-2X | REAR MAIN | 2.3206 | 2.3216 | 58.94 | 58.97 |
| 650-10-2Y | FRONT MAIN | 2.3206 | 2.3216 | 58.94 | 58.97 |
| 650-3-72F | REAR MAIN | 2.3228 | 2.3237 | 59.00 | 59.02 |
| 650-3-72G | FRONT MAIN | 2.3228 | 2.3237 | 59.00 | 59.02 |
| 650-10-3H | REAR MAIN | 2.3236 | 2.3243 | 59.02 | 59.04 |
| 650-10-3J | FRONT MAIN | 2.3236 | 2.3243 | 59.02 | 59.04 |
| 650-10-6U | REAR MAIN | 2.3622 | 2.3630 | 59.55 | 60.02 |
| 650-10-2Q | REAR MAIN | 2.3866 | 2.3874 | 60.62 | 60.64 |
| 650-10-2R | FRONT MAIN | 2.3866 | 2.3874 | 60.62 | 60.64 |
| 650-10-1F | REAR MAIN | 2.3866 | 2.3874 | 60.62 | 60.64 |
| 650-10-1G | FRONT MAIN | 2.3866 | 2.3874 | 60.62 | 60.64 |
| 650-10-4H | REAR MAIN | 2.4016 | 2.4024 | 61.00 | 61.02 |
| 650-10-4J | FRONT MAIN | 2.4016 | 2.4024 | 61.00 | 61.02 |
| 650-3-69A | REAR MAIN | 2.4412 | 2.4428 | 62.01 | 62.05 |
| 650-3-69F | FRONT MAIN | 2.4412 | 2.4428 | 62.01 | 62.05 |
| 650-10-3U | FRONT MAIN | 2.4420 | 2.4430 | 62.03 | 62.05 |
| 650-10-3X | SPECIAL | 2.4735 | 2.4763 | 62.83 | 62.90 |
| 650-3-72V | REAR MAIN | 2.4780 | 2.4795 | 62.94 | 62.98 |
| 650-3-72W | FRONT MAIN | 2.4780 | 2.4795 | 62.94 | 62.98 |
| 650-10-7N | FRONT MAIN | 2.4809 | 2.4815 | 63.01 | 63.03 |
| 650-10-7P | REAR MAIN | 2.4809 | 2.4815 | 63.01 | 63.03 |
| 650-3-69K | REAR MAIN | 2.4897 | 2.4912 | 63.24 | 63.28 |
| 650-3-69L | FRONT MAIN | 2.4897 | 2.4912 | 63.24 | 63.28 |
| 650-10-1V | REAR MAIN | 2.4906 | 2.4916 | 63.26 | 63.29 |
| 650-10-1W | FRONT MAIN | 2.4906 | 2.4916 | 63.26 | 63.29 |
| 650-12-2J | FRONT MAIN - SPECIAL | 2.5000 | 2.5010 | 63.50 | 63.53 |
| 650-10-6S | REAR MAIN | 2.5059 | 2.5066 | 63.65 | 63.67 |
| 650-10-6T | FRONT MAIN | 2.5059 | 2.5066 | 63.65 | 63.67 |
| 650-3-88V | FRONT MAIN | 2.5062 | 2.5069 | 63.66 | 63.68 |
| 650-3-88W | REAR MAIN | 2.5062 | 2.5069 | 63.66 | 63.68 |
| 650-10-7T | REAR MAIN | 2.5187 | 2.5197 | 63.97 | 64.00 |
| 650-3-72P | REAR MAIN | 2.5187 | 2.5197 | 63.97 | 64.00 |
| 650-3-72Q | FRONT MAIN | 2.5187 | 2.5197 | 63.97 | 64.00 |
| 650-10-3D | REAR MAIN | 2.5195 | 2.5203 | 64.00 | 64.02 |
| 650-10-3E | FRONT MAIN | 2.5195 | 2.5203 | 64.00 | 64.02 |
| 650-10-4 | REAR MAIN | 2.5210 | 2.5215 | 64.03 | 64.05 |
| 650-10-4A | FRONT MAIN | 2.5210 | 2.5215 | 64.03 | 64.05 |
| 650-10-7U | REAR MAIN | 2.5246 | 2.5252 | 64.12 | 64.14 |
| 650-10-7V | FRONT MAIN | 2.5246 | 2.5252 | 64.12 | 64.14 |
| 650-10-6N | FRONT MAIN | 2.5591 | 2.5594 | 65.00 | 65.01 |
| 650-10-6M | REAR MAIN | 2.5591 | 2.5594 | 65.00 | 65.01 |
| 650-10-6P | FRONT MAIN | 2.5591 | 2.5594 | 65.00 | 65.01 |



| BORE DIAMETER | | | | | |
|---------------|-------------|-----------|-----------|---------|--------|
| PART NUMBER | DESCRIPTION | MIN. INCH | MAX. INCH | MIN. MM | MAX MM |
| 650-10-1D | REAR MAIN | 2.5902 | 2.5910 | 65.79 | 65.81 |
| 650-10-1E | FRONT MAIN | 2.5902 | 2.5910 | 65.79 | 65.81 |
| 650-10-5 | REAR MAIN | 2.5905 | 2.5915 | 65.80 | 65.82 |
| 650-10-5A | FRONT MAIN | 2.5905 | 2.5915 | 65.80 | 65.82 |
| 650-10-3B | REAR MAIN | 2.5925 | 2.5934 | 74.99 | 75.02 |
| 650-10-3C | FRONT MAIN | 2.5925 | 2.5934 | 74.99 | 75.02 |
| 650-10-6D | REAR MAIN | 2.5980 | 2.5992 | 65.99 | 66.02 |
| 650-10-6E | FRONT MAIN | 2.5980 | 2.5992 | 65.99 | 66.02 |
| 650-10-6Y | REAR MAIN | 2.5992 | 2.5998 | 66.02 | 66.03 |
| 650-10-6Z | FRONT MAIN | 2.5992 | 2.5998 | 66.02 | 66.03 |
| 650-10-8Y | REAR MAIN | 2.6236 | 2.6244 | 66.64 | 66.66 |
| 650-10-8Z | FRONT MAIN | 2.6236 | 2.6244 | 66.64 | 66.66 |
| 650-10-3F | REAR MAIN | 2.6238 | 2.6243 | 66.64 | 66.66 |
| 650-10-3G | FRONT MAIN | 2.6238 | 2.6243 | 66.64 | 66.66 |
| 650-3-69 | REAR MAIN | 2.6406 | 2.6412 | 67.07 | 67.09 |
| 650-3-69E | FRONT MAIN | 2.6406 | 2.6412 | 67.07 | 67.09 |
| 650-10-5G | REAR MAIN | 2.6411 | 2.6426 | 67.08 | 67.12 |
| 650-10-5H | FRONT MAIN | 2.6411 | 2.6426 | 67.08 | 67.12 |
| 650-10-5J | REAR MAIN | 2.6416 | 2.6431 | 67.00 | 67.14 |
| 650-10-5K | FRONT MAIN | 2.6416 | 2.6431 | 67.00 | 67.14 |
| 650-10-7L | FRONT MAIN | 2.6565 | 2.6570 | 67.48 | 67.49 |
| 650-10-7M | REAR MAIN | 2.6565 | 2.6570 | 67.48 | 67.49 |
| 650-3-88L | REAR MAIN | 2.6605 | 2.6615 | 67.58 | 67.60 |
| 650-3-88M | FRONT MAIN | 2.6605 | 2.6615 | 67.58 | 67.60 |
| 650-10-4D | REAR MAIN | 2.6700 | 2.6710 | 67.82 | 67.84 |
| 650-10-4E | FRONT MAIN | 2.6700 | 2.6710 | 67.82 | 67.84 |
| 650-10-7 | REAR MAIN | 2.6700 | 2.6710 | 67.82 | 67.84 |
| 650-10-7A | FRONT MAIN | 2.6700 | 2.6710 | 67.82 | 67.84 |
| 650-10-7Q | FRONT MAIN | 2.6710 | 2.6720 | 67.84 | 67.87 |
| 650-10-7R | REAR MAIN | 2.6710 | 2.6720 | 67.84 | 67.87 |
| 650-3-71R | REAR MAIN | 2.6758 | 2.6760 | 67.97 | 67.97 |
| 650-3-71S | FRONT MAIN | 2.6758 | 2.6760 | 67.97 | 67.97 |
| 650-3-88A | REAR MAIN | 2.6763 | 2.6773 | 67.98 | 68.00 |
| 650-3-88B | FRONT MAIN | 2.6763 | 2.6773 | 67.98 | 68.00 |
| 650-10-1P | REAR MAIN | 2.6769 | 2.6776 | 67.99 | 68.01 |
| 650-10-1Q | FRONT MAIN | 2.6769 | 2.6776 | 67.99 | 68.01 |
| 650-10-1K | REAR MAIN | 2.6870 | 2.6880 | 68.25 | 68.28 |
| 650-10-1L | FRONT MAIN | 2.6870 | 2.6880 | 68.25 | 68.28 |
| 650-10-2 | REAR MAIN | 2.6910 | 2.6920 | 68.35 | 68.38 |
| 650-10-2A | FRONT MAIN | 2.6910 | 2.6920 | 68.35 | 68.38 |
| 650-3-69P | REAR MAIN | 2.6915 | 2.6930 | 68.36 | 68.40 |
| 650-3-69Q | FRONT MAIN | 2.6915 | 2.6930 | 68.36 | 68.40 |

| PART NUMBER | DESCRIPTION | BORE DIAMETER | | | |
|-------------|-------------|---------------|-----------|---------|--------|
| | | MIN. INCH | MAX. INCH | MIN. MM | MAX MM |
| 650-10-1T | REAR MAIN | 2.6925 | 2.6930 | 68.39 | 68.40 |
| 650-10-1U | FRONT MAIN | 2.6925 | 2.6930 | 68.39 | 68.40 |
| 650-10-2L | REAR MAIN | 2.6925 | 2.6930 | 68.39 | 68.40 |
| 650-10-2M | FRONT MAIN | 2.6925 | 2.6930 | 68.39 | 68.40 |
| 650-10-4F | REAR MAIN | 2.6968 | 2.6978 | 68.50 | 68.52 |
| 650-10-4G | FRONT MAIN | 2.6968 | 2.6978 | 68.50 | 68.52 |
| 650-10-4L | FRONT MAIN | 2.6968 | 2.6978 | 68.50 | 68.52 |
| 650-10-1H | REAR MAIN | 2.7120 | 2.7127 | 68.88 | 68.90 |
| 650-10-1J | FRONT MAIN | 2.7120 | 2.7127 | 68.88 | 68.90 |
| 650-10-1M | REAR MAIN | 2.7161 | 2.7169 | 68.99 | 69.01 |
| 650-10-1N | FRONT MAIN | 2.7161 | 2.7169 | 68.99 | 69.01 |
| 650-10-6H | REAR MAIN | 2.7499 | 2.7504 | 69.85 | 69.86 |
| 650-10-6J | FRONT MAIN | 2.7499 | 2.7504 | 69.85 | 69.86 |
| 650-3-69M | REAR MAIN | 2.7504 | 2.7515 | 69.86 | 69.89 |
| 650-3-69N | FRONT MAIN | 2.7504 | 2.7515 | 69.86 | 69.89 |
| 650-3-82D | REAR MAIN | 2.7509 | 2.7509 | 69.87 | 69.87 |
| 650-3-82E | FRONT MAIN | 2.7509 | 2.7509 | 69.87 | 69.87 |
| 650-10-1R | REAR MAIN | 2.7513 | 2.7518 | 69.88 | 69.90 |
| 650-10-1S | FRONT MAIN | 2.7513 | 2.7518 | 69.88 | 69.90 |
| 650-10-6X | FRONT MAIN | 2.7556 | 2.7566 | 69.99 | 70.02 |
| 650-10-8N | REAR MAIN | 2.7556 | 2.7566 | 69.99 | 70.02 |
| 650-10-8P | FRONT MAIN | 2.7556 | 2.7566 | 69.99 | 70.02 |
| 650-3-88X | FRONT MAIN | 2.7556 | 2.7566 | 69.99 | 70.02 |
| 650-10-6 | REAR MAIN | 2.7565 | 2.7575 | 70.01 | 70.04 |
| 650-10-6A | FRONT MAIN | 2.7565 | 2.7575 | 70.01 | 70.04 |
| 650-10-6F | REAR MAIN | 2.7712 | 2.7717 | 70.39 | 70.40 |
| 650-10-6G | FRONT MAIN | 2.7712 | 2.7717 | 70.39 | 70.40 |
| 650-3-71C | FRONT MAIN | 2.8150 | 2.8160 | 71.50 | 71.53 |
| 650-3-71D | REAR MAIN | 2.8150 | 2.8160 | 71.50 | 71.53 |
| 650-10-4M | REAR MAIN | 2.8165 | 2.8175 | 71.54 | 71.56 |
| 650-10-4N | FRONT MAIN | 2.8165 | 2.8175 | 71.54 | 71.56 |
| 650-3-72B | REAR MAIN | 2.8175 | 2.8180 | 71.56 | 71.58 |
| 650-3-72C | FRONT MAIN | 2.8175 | 2.8180 | 71.56 | 71.58 |
| 650-3-71H | FRONT MAIN | 2.8340 | 2.8345 | 71.98 | 72.00 |
| 650-3-71J | REAR MAIN | 2.8340 | 2.8345 | 71.98 | 72.00 |
| 650-3-69T | REAR MAIN | 2.8406 | 2.8415 | 72.15 | 72.17 |
| 650-3-69U | FRONT MAIN | 2.8406 | 2.8415 | 72.15 | 72.17 |
| 650-3-88T | FRONT MAIN | 2.8490 | 2.8500 | 72.36 | 72.39 |
| 650-3-88U | REAR MAIN | 2.8490 | 2.8500 | 72.36 | 72.39 |
| 650-10-4R | REAR MAIN | 2.8554 | 2.8564 | 72.53 | 72.55 |
| 650-10-4S | FRONT MAIN | 2.8554 | 2.8564 | 72.53 | 72.55 |
| 650-10-4V | REAR MAIN | 2.8687 | 2.8694 | 72.86 | 72.88 |
| 650-10-4W | FRONT MAIN | 2.8687 | 2.8694 | 72.86 | 72.88 |

| BORE DIAMETER | | | | | |
|---------------|-------------|-----------|-----------|---------|--------|
| PART NUMBER | DESCRIPTION | MIN. INCH | MAX. INCH | MIN. MM | MAX MM |
| 650-10-4P | REAR MAIN | 2.8740 | 2.8747 | 73.00 | 73.02 |
| 650-10-4Q | FRONT MAIN | 2.8740 | 2.8747 | 73.00 | 73.02 |
| 650-10-9 | REAR MAIN | 2.8745 | 2.8752 | 73.01 | 73.03 |
| 650-10-9A | FRONT MAIN | 2.8745 | 2.8752 | 73.01 | 73.03 |
| 650-10-3Y | REAR MAIN | 2.8800 | 2.8805 | 73.15 | 73.16 |
| 650-10-3Z | FRONT MAIN | 2.8800 | 2.8805 | 73.15 | 73.16 |
| 650-10-7J | FRONT MAIN | 2.8937 | 2.8944 | 73.49 | 73.52 |
| 650-10-7K | REAR MAIN | 2.8937 | 2.8944 | 73.49 | 73.52 |
| 650-10-8Q | REAR MAIN | 2.9372 | 2.9387 | 74.60 | 74.64 |
| 650-10-8R | FRONT MAIN | 2.9372 | 2.9387 | 74.60 | 74.64 |
| 650-10-5B | FRONT MAIN | 2.9380 | 2.9395 | 74.63 | 74.66 |
| 650-3-69B | REAR MAIN | 2.9380 | 2.9395 | 74.63 | 74.66 |
| 650-3-69G | FRONT MAIN | 2.9380 | 2.9395 | 74.63 | 74.66 |
| 650-10-8D | REAR MAIN | 2.9412 | 2.9420 | 74.71 | 74.73 |
| 650-10-8E | FRONT MAIN | 2.9412 | 2.9420 | 74.71 | 74.73 |
| 650-10-4B | FRONT MAIN | 2.9417 | 2.9432 | 74.72 | 74.76 |
| 650-3-69V | REAR MAIN | 2.9417 | 2.9432 | 74.72 | 74.76 |
| 650-3-69W | FRONT MAIN | 2.9417 | 2.9432 | 74.72 | 74.76 |
| 650-3-71G | FRONT MAIN | 2.9425 | 2.9440 | 74.74 | 74.78 |
| 650-3-69Z | REAR MAIN | 2.9425 | 2.9440 | 74.74 | 74.78 |
| 650-3-71 | FRONT MAIN | 2.9425 | 2.9440 | 74.74 | 74.78 |
| 650-3-69D | REAR MAIN | 3.0025 | 3.0040 | 76.26 | 76.30 |
| 650-3-69J | FRONT MAIN | 3.0025 | 3.0040 | 76.26 | 76.30 |
| 650-10-4T | REAR MAIN | 3.0308 | 3.0318 | 76.98 | 77.01 |
| 650-10-4U | FRONT MAIN | 3.0308 | 3.0318 | 76.98 | 77.01 |
| 650-10-4X | REAR MAIN | 3.0315 | 3.0324 | 77.00 | 77.02 |
| 650-10-4Y | FRONT MAIN | 3.0315 | 3.0324 | 77.00 | 77.02 |
| 650-3-71U | FRONT MAIN | 3.0696 | 3.0703 | 77.97 | 77.99 |
| 650-10-6B | REAR MAIN | 3.0922 | 3.0930 | 78.54 | 78.56 |
| 650-10-6C | FRONT MAIN | 3.0922 | 3.0930 | 78.54 | 78.56 |
| 650-3-71A | FRONT MAIN | 3.1427 | 3.1437 | 79.82 | 79.85 |
| 650-3-71B | REAR MAIN | 3.1427 | 3.1437 | 79.82 | 79.85 |
| 650-3-72K | REAR MAIN | 3.1625 | 3.1637 | 80.33 | 80.36 |
| 650-3-72L | FRONT MAIN | 3.1625 | 3.1637 | 80.33 | 80.36 |
| 650-3-69X | REAR MAIN | 3.1880 | 3.1895 | 80.98 | 81.01 |
| 650-3-69Y | FRONT MAIN | 3.1880 | 3.1895 | 80.98 | 81.01 |
| 650-3-69R | REAR MAIN | 3.1912 | 3.1927 | 81.06 | 81.09 |
| 650-3-69S | FRONT MAIN | 3.1912 | 3.1927 | 81.06 | 81.09 |
| 650-3-69C | REAR MAIN | 3.1922 | 3.1937 | 81.08 | 81.12 |
| 650-3-69H | FRONT MAIN | 3.1922 | 3.1937 | 81.08 | 81.12 |
| 650-3-88J | REAR MAIN | 3.2495 | 3.2505 | 82.54 | 82.56 |
| 650-3-88K | FRONT MAIN | 3.2495 | 3.2505 | 82.54 | 82.56 |



| BORE DIAMETER | | | | | |
|---------------|-------------|-----------|-----------|---------|--------|
| PART NUMBER | DESCRIPTION | MIN. INCH | MAX. INCH | MIN. MM | MAX MM |
| 650-10-1 | REAR MAIN | 3.3150 | 3.3160 | 84.20 | 84.23 |
| 650-10-1A | FRONT MAIN | 3.3150 | 3.3160 | 84.20 | 84.23 |
| 650-3-71V | REAR MAIN | 3.3152 | 3.3162 | 84.21 | 84.23 |
| 650-3-71W | FRONT MAIN | 3.3152 | 3.3162 | 84.21 | 84.23 |
| 650-10-5S | REAR MAIN | 3.3250 | 3.3260 | 84.46 | 84.48 |
| 650-10-5T | FRONT MAIN | 3.3250 | 3.3260 | 84.46 | 84.48 |
| 650-3-88Q | REAR MAIN | 3.3464 | 3.3472 | 84.99 | 85.01 |
| 650-3-88R | FRONT MAIN | 3.3464 | 3.3472 | 84.99 | 85.01 |
| 650-10-7E | REAR MAIN | 3.3655 | 3.3665 | 85.48 | 85.51 |
| 650-10-7F | REAR MAIN | 3.3655 | 3.3665 | 85.48 | 85.51 |
| 650-10-7G | FRONT MAIN | 3.3655 | 3.3665 | 85.48 | 85.51 |
| 650-10-7H | FRONT MAIN | 3.3655 | 3.3665 | 85.48 | 85.51 |
| 650-10-2H | REAR MAIN | 3.3800 | 3.3810 | 85.85 | 85.88 |
| 650-10-2J | FRONT MAIN | 3.3800 | 3.3810 | 85.85 | 85.88 |
| 650-3-88S | FRONT MAIN | 3.3854 | 3.3862 | 85.99 | 86.01 |
| 650-10-1B | REAR MAIN | 3.3854 | 3.3864 | 85.99 | 86.02 |
| 650-10-1C | FRONT MAIN | 3.3854 | 3.3864 | 85.99 | 86.02 |
| 650-3-72M | REAR MAIN | 3.3854 | 3.3862 | 85.99 | 86.01 |
| 650-3-72N | FRONT MAIN | 3.3854 | 3.3862 | 85.99 | 86.01 |
| 650-10-8S | REAR MAIN | 3.3864 | 3.3872 | 86.01 | 86.03 |
| 650-10-8T | FRONT MAIN | 3.3864 | 3.3872 | 86.01 | 86.03 |
| 650-10-8W | REAR MAIN | 3.4200 | 3.4210 | 86.87 | 86.89 |
| 650-10-8X | FRONT MAIN | 3.4200 | 3.4210 | 86.87 | 86.89 |
| 650-10-5C | REAR MAIN | 3.4230 | 3.4240 | 86.94 | 86.97 |
| 650-10-5D | FRONT MAIN | 3.4230 | 3.4240 | 86.94 | 86.97 |
| 650-10-8U | REAR MAIN | 3.4254 | 3.4264 | 87.01 | 87.03 |
| 650-10-8V | FRONT MAIN | 3.4254 | 3.4264 | 87.01 | 87.03 |
| 650-3-71X | REAR MAIN | 3.4380 | 3.4390 | 87.33 | 87.35 |
| 650-3-71Y | FRONT MAIN | 3.4380 | 3.4390 | 87.33 | 87.35 |
| 650-3-88N | REAR MAIN | 3.4638 | 3.4652 | 87.98 | 88.02 |
| 650-3-88P | FRONT MAIN | 3.4638 | 3.4652 | 87.98 | 88.02 |
| 650-10-5U | REAR MAIN | 3.5827 | 3.5835 | 91.00 | 91.02 |
| 650-10-5V | FRONT MAIN | 3.5827 | 3.5835 | 91.00 | 91.02 |
| 650-3-71P | FRONT MAIN | 3.6869 | 3.6871 | 93.65 | 93.65 |
| 650-3-71Q | REAR MAIN | 3.6869 | 3.6871 | 93.65 | 93.65 |
| 650-10-5Y | REAR MAIN | 3.6885 | 3.6895 | 93.69 | 93.71 |
| 650-10-5Z | FRONT MAIN | 3.6885 | 3.6895 | 93.69 | 93.71 |
| 650-10-2D | REAR MAIN | 3.6910 | 3.6920 | 93.75 | 93.78 |
| 650-3-71M | FRONT MAIN | 3.6960 | 3.7000 | 93.88 | 93.98 |
| 650-3-71N | REAR MAIN | 3.6960 | 3.7000 | 93.88 | 93.98 |
| 650-10-8B | REAR MAIN | 3.7070 | 3.7080 | 94.15 | 94.18 |
| 650-10-8C | FRONT MAIN | 3.7070 | 3.7080 | 94.15 | 94.18 |



| BORE DIAMETER | | | | | |
|---------------|-------------|-----------|-----------|---------|--------|
| PART NUMBER | DESCRIPTION | MIN. INCH | MAX. INCH | MIN. MM | MAX MM |
| 650-10-5L | REAR MAIN | 3.7397 | 3.7407 | 94.99 | 95.01 |
| 650-10-5M | FRONT MAIN | 3.7397 | 3.7407 | 94.99 | 95.01 |
| 650-3-71Z | REAR MAIN | 3.8504 | 3.8513 | 97.80 | 97.82 |
| 650-3-72A | FRONT MAIN | 3.8504 | 3.8513 | 97.80 | 97.82 |
| 650-10-3T | REAR MAIN | 4.1356 | 4.1366 | 105.40 | 105.07 |
| 650-10-5N | REAR MAIN | 4.5640 | 4.5659 | 115.93 | 115.98 |
| 650-10-5P | FRONT MAIN | 4.5640 | 4.5659 | 115.93 | 115.98 |
| 650-10-5Q | REAR MAIN | 4.5664 | 4.5674 | 115.99 | 116.01 |
| 650-10-5R | FRONT MAIN | 4.5664 | 4.5674 | 115.99 | 116.01 |

Individual Expanding CAM Locators for 4th Axis Fixtures (690-3-63/690-3-70/5537A)

Note: Min/Max diameters below refer to minimum and maximum bore diameters that can accept the individual locator



| PART NUMBER | DESCRIPTION | BORE DIAMETER | | | |
|-------------|---------------|---------------|-----------|---------|--------|
| | | MIN. INCH | MAX. INCH | MIN. MM | MAX MM |
| 650-3-95Z | CAM EXPANDING | 1.3740 | 1.3750 | 34.90 | 34.93 |
| 650-3-83H | CAM EXPANDING | 1.5670 | 1.5680 | 39.80 | 39.83 |
| 650-11-1J | CAM EXPANDING | 1.6305 | 1.6320 | 41.41 | 41.45 |
| 650-3-62Y | CAM EXPANDING | 1.6920 | 1.6935 | 42.98 | 43.01 |
| 650-3-95P | CAM EXPANDING | 1.7082 | 1.7097 | 43.39 | 43.43 |
| 650-11-1G | CAM EXPANDING | 1.7115 | 1.7130 | 43.47 | 43.51 |
| 650-11-1D | CAM EXPANDING | 1.7515 | 1.7530 | 44.49 | 44.53 |
| 650-3-70N | CAM EXPANDING | 1.7955 | 1.7975 | 45.61 | 45.66 |
| 650-3-95J | CAM EXPANDING | 1.8065 | 1.8097 | 45.89 | 45.97 |
| 650-3-70V | CAM EXPANDING | 1.8480 | 1.8490 | 46.94 | 46.96 |
| 650-3-82C | CAM EXPANDING | 1.8490 | 1.8505 | 46.96 | 47.00 |
| 650-3-95Y | CAM EXPANDING | 1.8550 | 1.8560 | 47.12 | 47.14 |
| 650-11-1C | CAM EXPANDING | 1.8745 | 1.8760 | 47.61 | 47.65 |
| 650-3-70G | CAM EXPANDING | 1.8795 | 1.8810 | 47.74 | 47.78 |
| 650-3-70P | CAM EXPANDING | 1.9155 | 1.9175 | 48.65 | 48.70 |
| 650-3-83B | CAM EXPANDING | 1.9270 | 1.9280 | 48.95 | 48.97 |
| 650-11-1W | CAM EXPANDING | 1.9275 | 1.9285 | 48.96 | 48.98 |
| 650-3-95H | CAM EXPANDING | 1.9355 | 1.9375 | 49.16 | 49.21 |
| 650-3-70B | CAM EXPANDING | 1.9990 | 2.0005 | 50.77 | 50.81 |
| 650-3-70C | CAM EXPANDING | 2.0090 | 2.0105 | 51.03 | 51.07 |
| 650-3-83J | CAM EXPANDING | 2.0190 | 2.0210 | 51.28 | 51.33 |
| 650-11-1Z | CAM EXPANDING | 2.0290 | 2.0320 | 51.54 | 51.61 |
| 650-3-83G | CAM EXPANDING | 2.0290 | 2.0305 | 51.54 | 51.57 |
| 650-3-70S | CAM EXPANDING | 2.0297 | 2.0317 | 51.55 | 51.61 |
| 650-11-1F | CAM EXPANDING | 2.0321 | 2.0336 | 51.62 | 51.65 |
| 650-3-83E | CAM EXPANDING | 2.0380 | 2.0400 | 51.77 | 51.82 |
| 650-3-70R | CAM EXPANDING | 2.0575 | 2.0585 | 52.26 | 52.29 |
| 650-3-95M | CAM EXPANDING | 2.0825 | 2.0835 | 52.90 | 52.92 |
| 650-3-95C | CAM EXPANDING | 2.0860 | 2.0875 | 52.98 | 53.02 |

| BORE DIAMETER | | | | | |
|---------------|----------------------------------|-----------|-----------|---------|--------|
| PART NUMBER | DESCRIPTION | MIN. INCH | MAX. INCH | MIN. MM | MAX MM |
| 650-3-70E | CAM EXPANDING | 2.0875 | 2.0890 | 53.02 | 53.06 |
| 650-3-95S | CAM EXPANDING - SPECIAL EXTENDED | 2.0930 | 2.0940 | 53.16 | 53.19 |
| 650-3-70W | CAM EXPANDING | 2.1190 | 2.1205 | 53.82 | 53.86 |
| 650-3-70W | CAM EXPANDING | 2.1190 | 2.1205 | 53.82 | 53.86 |
| 650-3-95B | CAM EXPANDING | 2.1220 | 2.1230 | 53.90 | 53.92 |
| 650-3-70M | CAM EXPANDING | 2.1255 | 2.1265 | 53.99 | 54.01 |
| 650-3-62W | CAM EXPANDING | 2.1280 | 2.1295 | 54.05 | 54.09 |
| 650-11-1T | CAM EXPANDING | 2.1395 | 2.1405 | 54.34 | 54.37 |
| 650-3-70Q | CAM EXPANDING | 2.1410 | 2.1430 | 54.38 | 54.43 |
| 650-3-62Z | CAM EXPANDING | 2.1440 | 2.1455 | 54.46 | 54.50 |
| 650-3-70K | CAM EXPANDING | 2.1440 | 2.1455 | 54.46 | 54.50 |
| 650-3-95K | CAM EXPANDING | 2.1531 | 2.1541 | 54.69 | 54.71 |
| 650-3-95F | CAM EXPANDING | 2.1580 | 2.1589 | 54.81 | 54.84 |
| 650-3-83A | CAM EXPANDING | 2.1653 | 2.1663 | 55.00 | 55.02 |
| 650-3-70U | CAM EXPANDING | 2.1675 | 2.1685 | 55.05 | 55.08 |
| 650-11-4A | CAM EXPANDING | 2.1684 | 2.1690 | 55.08 | 55.09 |
| 650-3-95L | CAM EXPANDING | 2.1915 | 2.1925 | 55.66 | 55.69 |
| 650-3-83K | CAM EXPANDING | 2.1995 | 2.2005 | 55.87 | 55.89 |
| 650-3-83Y | CAM EXPANDING | 2.2030 | 2.2040 | 55.96 | 55.98 |
| 650-3-95N | CAM EXPANDING | 2.2035 | 2.2055 | 55.97 | 56.02 |
| 650-11-1V | CAM EXPANDING - SPECIAL EXTENDED | 2.2040 | 2.2050 | 55.98 | 56.01 |
| 650-3-83X | CAM EXPANDING | 2.2045 | 2.2050 | 55.99 | 56.01 |
| 650-3-83F | CAM EXPANDING | 2.2080 | 2.2090 | 56.08 | 56.11 |
| 650-3-70L | CAM EXPANDING | 2.2305 | 2.2320 | 56.65 | 56.69 |
| 650-3-62X | CAM EXPANDING | 2.2490 | 2.2505 | 57.12 | 57.16 |
| 650-11-1K | CAM EXPANDING | 2.2528 | 2.2542 | 57.22 | 57.26 |
| 650-11-1U | CAM EXPANDING | 2.2600 | 2.2610 | 57.40 | 57.43 |
| 650-11-4F | CAM EXPANDING | 2.2645 | 2.2655 | 57.52 | 57.54 |
| 650-3-95T | CAM EXPANDING - SPECIAL EXTENDED | 2.2670 | 2.2710 | 57.58 | 57.68 |
| 650-3-95D | CAM EXPANDING | 2.2680 | 2.2720 | 57.61 | 57.71 |
| 650-3-70A | CAM EXPANDING | 2.2820 | 2.2835 | 57.96 | 58.00 |
| 650-3-95U | CAM EXPANDING | 2.2850 | 2.2865 | 58.04 | 58.08 |
| 650-3-95A | CAM EXPANDING | 2.3000 | 2.3030 | 58.42 | 58.50 |
| 650-3-83 | CAM EXPANDING | 2.3070 | 2.3080 | 58.60 | 58.62 |
| 650-11-4 | CAM EXPANDING | 2.3095 | 2.3105 | 58.66 | 58.69 |
| 650-11-1Y | CAM EXPANDING | 2.3140 | 2.3150 | 58.78 | 58.80 |
| 650-3-70H | CAM EXPANDING | 2.3255 | 2.3270 | 59.07 | 59.11 |
| 650-11-1M | CAM EXPANDING | 2.3270 | 2.3290 | 59.11 | 59.16 |
| 650-11-1L | CAM EXPANDING | 2.3315 | 2.3330 | 59.22 | 59.26 |

| BORE DIAMETER | | | | | |
|---------------|-------------------------------------|-----------|-----------|---------|--------|
| PART NUMBER | DESCRIPTION | MIN. INCH | MAX. INCH | MIN. MM | MAX MM |
| 650-3-83M | CAM EXPANDING | 2.3450 | 2.3470 | 59.56 | 59.61 |
| 650-3-70J | CAM EXPANDING | 2.3475 | 2.3490 | 59.63 | 59.66 |
| 650-3-95Q | CAM EXPANDING | 2.3600 | 2.3610 | 59.94 | 59.97 |
| 650-3-83U | CAM EXPANDING | 2.3622 | 2.3637 | 60.00 | 60.04 |
| 650-3-70X | CAM EXPANDING | 2.3745 | 2.3755 | 60.31 | 60.34 |
| 650-11-1S | CAM EXPANDING | 2.3875 | 2.3885 | 60.64 | 60.67 |
| 650-11-4E | CAM EXPANDING | 2.4000 | 2.4010 | 60.96 | 60.99 |
| 650-3-70Y | CAM EXPANDING | 2.4000 | 2.4010 | 60.96 | 60.99 |
| 650-3-83R | CAM EXPANDING - SPECIAL 1" EXTENDED | 2.4412 | 2.4427 | 62.01 | 62.04 |
| 650-3-95W | CAM EXPANDING | 2.4735 | 2.4763 | 62.83 | 62.90 |
| 650-3-70F | CAM EXPANDING | 2.4770 | 2.4780 | 62.92 | 62.94 |
| 650-3-70 | CAM EXPANDING | 2.4780 | 2.4795 | 62.94 | 62.98 |
| 650-3-95E | CAM EXPANDING | 2.4980 | 2.5005 | 63.45 | 63.51 |
| 650-3-95V | CAM EXPANDING | 2.5130 | 2.5140 | 63.83 | 63.86 |
| 650-11-1X | CAM EXPANDING | 2.5428 | 2.5438 | 64.59 | 64.61 |
| 650-3-95R | CAM EXPANDING | 2.5580 | 2.5600 | 64.97 | 65.02 |
| 650-3-83L | CAM EXPANDING | 2.5967 | 2.5992 | 65.96 | 66.02 |
| 650-11-4C | CAM EXPANDING | 2.5980 | 2.6000 | 65.99 | 66.04 |
| 650-11-4D | CAM EXPANDING | 2.6376 | 2.6392 | 67.00 | 67.04 |
| 650-3-83C | CAM EXPANDING | 2.6406 | 2.6416 | 67.07 | 67.10 |
| 650-3-83P | CAM EXPANDING - SPECIAL EXTENDED | 2.6406 | 2.6416 | 67.07 | 67.10 |
| 650-11-4G | CAM EXPANDING | 2.6520 | 2.6530 | 67.36 | 67.39 |
| 650-11-1R | CAM EXPANDING | 2.6700 | 2.6725 | 67.82 | 67.88 |
| 650-11-1H | CAM EXPANDING | 2.6730 | 2.6740 | 67.89 | 67.92 |
| 650-3-70T | CAM EXPANDING | 2.6730 | 2.6740 | 67.89 | 67.92 |
| 650-11-4B | CAM EXPANDING | 2.6748 | 2.6763 | 67.94 | 67.98 |
| 650-11-1 | CAM EXPANDING - SPECIAL EXTENDED | 2.6748 | 2.6763 | 67.94 | 67.98 |
| 650-3-70Z | CAM EXPANDING | 2.6763 | 2.6773 | 67.98 | 68.00 |
| 650-11-1A | CAM EXPANDING | 2.6920 | 2.6940 | 68.38 | 68.43 |
| 650-11-4J | CAM EXPANDING | 2.7540 | 2.7550 | 69.95 | 69.98 |
| 650-11-1N | CAM EXPANDING | 2.7549 | 2.7569 | 69.97 | 70.03 |
| 650-11-4H | CAM EXPANDING | 2.8800 | 2.8810 | 73.15 | 73.18 |
| 650-3-95X | CAM EXPANDING | 2.8820 | 2.8830 | 73.20 | 73.23 |
| 650-3-83V | CAM EXPANDING | 2.9370 | 2.9380 | 74.60 | 74.63 |
| 650-3-83Q | CAM EXPANDING - SPECIAL EXTENDED | 2.9380 | 2.9395 | 74.63 | 74.66 |
| 650-3-95 | CAM EXPANDING - SPECIAL 1" EXTENDED | 2.9413 | 2.9423 | 74.71 | 74.73 |
| 650-3-83N | CAM EXPANDING | 2.9423 | 2.9430 | 74.73 | 74.75 |



| BORE DIAMETER | | | | | |
|---------------|--|-----------|-----------|---------|--------|
| PART NUMBER | DESCRIPTION | MIN. INCH | MAX. INCH | MIN. MM | MAX MM |
| 650-3-83W | CAM EXPANDING | 3.0637 | 3.0645 | 77.82 | 77.84 |
| 650-11-1E | CAM EXPANDING - SPECIAL OFFSET | 3.0670 | 3.0690 | 77.90 | 77.95 |
| 650-3-95G | CAM EXPANDING | 3.0670 | 3.0690 | 77.90 | 77.95 |
| 650-11-1P | CAM EXPANDING | 3.1884 | 3.1896 | 80.99 | 81.02 |
| 650-3-83S | CAM EXPANDING - SPECIAL 1" EXTENDED | 3.1922 | 3.1937 | 81.08 | 81.12 |
| 650-11-1Q | CAM EXPANDING | 3.3460 | 3.3480 | 84.99 | 85.04 |
| 650-11-1B | CAM EXPANDING | 3.3500 | 3.3515 | 85.09 | 85.13 |

Main Bearing Locators for 650-3-1 Performance Fixture – Dual Size

If Customer Requires Sizes Other than Listed Below, Rottler will Manufacture the Required Size.

Customer Must Provide The Size, Including Tolerance, of the Bore/s the Locator will be used in. Rottler will use this Information to Design the Actual Locator. (Sold in Pairs)

Note: Min/Max diameters below refer to minimum and maximum bore diameters that can accept the individual locator



| PART NUMBER | DESCRIPTION | BORE DIAMETER | | | |
|-------------|---|---------------|-----------|---------|--------|
| | | MIN. INCH | MAX. INCH | MIN. MM | MAX MM |
| 502-1-47R | PAIR - HONDA 2.2L - SUBARU 2.5L | 2.1250 | 2.5185 | 53.98 | 63.97 |
| 502-1-48B | PAIR - MAIN BEARING LOCATORS | 2.3196 | 2.5409 | 58.92 | 64.54 |
| 502-1-47M | PAIR - HONDA 1.8L - MITSUBISHI 2.0L | 2.3216 | 2.4002 | 58.97 | 60.97 |
| 502-1-47E | PAIR - FORD V8(289/302) - MOPAR V8(360) | 2.4397 | 3.0010 | 61.97 | 76.23 |
| 502-1-47L | PAIR - FORD ZETEC - FORD 4.6L | 2.4528 | 2.8491 | 62.30 | 72.37 |
| 502-1-47G | PAIR - CHEVY V8(283/327 EARLY) - CHEVY V8(5.3L '99 AND NEWER) - CHEVY LS1 | 2.4892 | 2.7495 | 63.23 | 69.83 |
| 502-1-47A | PAIR - CHEVY V8(350/400SB) V6(4.3L/3.4L) | 2.6391 | 2.8390 | 67.03 | 72.11 |
| 502-1-49G | PAIR - CHEVY LS/LT | 2.6406 | 2.7509 | 67.07 | 69.87 |
| 502-1-47P | PAIR - TOYOTA V6(3.0L) - FORD POWERSTROKE V8(7.3L) | 2.6770 | 2.3150 | 68.00 | 84.20 |
| 502-1-47B | PAIR - CHEVY V8(396/400SB/454) - BUICK V6(231) | 2.6855 | 2.9365 | 68.21 | 74.59 |
| 502-1-47F | PAIR - MOPAR V8(318/340) - MOPAR V8(426/440) | 2.6910 | 2.9410 | 68.35 | 74.70 |
| 502-1-48G | PAIR - NISSAN VQ-35 | 2.7556 | 2.9995 | 69.99 | 76.19 |



| BORE DIAMETER | | | | | |
|---------------|---|-----------|-----------|---------|--------|
| PART NUMBER | DESCRIPTION | MIN. INCH | MAX. INCH | MIN. MM | MAX MM |
| 502-1-49F | PAIR - CHEVY BIG BLOCK - FORD MOD/COY | 2.8504 | 2.9370 | 72.40 | 74.60 |
| 502-1-47D | PAIR - FORD V8(351C) - FORD V8(351W/429/460) | 2.9402 | 3.1907 | 74.68 | 81.04 |
| 502-1-47C | PAIR - BUICK/OLDS/PONTIAC V8(350/389/400) - BUICK/PONTIAC V8(421/428/455) | 3.1866 | 3.4365 | 80.94 | 87.29 |

Main Bearing Locators for 650-3-1 Performance Fixture –Single Size

If Customer Requires Sizes Other than Listed Below, Rottler will Manufacture the Required Size.

Customer Must Provide The Size, Including Tolerance, of the Bore/s the Locator will be used in. Rottler will use this Information to Design the Actual Locator. (Sold in Pairs)

Note: Min/Max diameters below refer to minimum and maximum bore diameters that can accept the individual locator



| PART NUMBER | DESCRIPTION | BORE DIAMETER | | | |
|-------------|--|---------------|-----------|---------|--------|
| | | MIN. INCH | MAX. INCH | MIN. MM | MAX MM |
| 502-1-48E | PAIR - MAIN BEARING LOCATORS | 2.2347 | 2.2347 | 56.76 | 56.76 |
| 502-1-48C | PAIR - MAIN BEARING LOCATORS | 2.3191 | 2.3191 | 58.91 | 58.91 |
| 502-1-48A | PAIR - MAIN BEARING LOCATORS | 2.3615 | 2.3615 | | |
| 502-1-48R | PAIR - MAIN BEARING LOCATORS | 2.3963 | 2.3963 | 60.87 | 60.87 |
| 502-1-47T | PAIR - MAIN BEARING LOCATORS | 2.4910 | 2.4920 | 63.27 | 63.30 |
| 502-1-48D | PAIR - MAIN BEARING LOCATORS | 2.5044 | 2.5044 | 63.61 | 63.61 |
| 502-1-47Y | PAIR - MAIN BEARING LOCATORS | 2.5184 | 2.5184 | 63.97 | 63.97 |
| 502-1-49A | PAIR - MAIN BEARING LOCATORS | 2.5206 | 2.5206 | 64.02 | 64.02 |
| 502-1-48L | PAIR - MAIN BEARING LOCATORS | 2.5561 | 2.5561 | 64.93 | 64.93 |
| 502-1-47Q | PAIR - HOLDEN V8 | 2.5906 | 2.5916 | 65.80 | 65.83 |
| 502-1-49B | PAIR - MAIN BEARING LOCATORS | 2.5992 | 2.5992 | 66.01 | 66.01 |
| 502-1-47Z | PAIR - MAIN BEARING LOCATORS | 2.6228 | 2.6228 | 66.62 | 66.62 |
| 502-1-47W | PAIR - MAIN BEARING LOCATORS | 2.6601 | 2.6606 | 67.57 | 67.58 |
| 502-1-47X | PAIR - MAIN BEARING LOCATORS | 2.6635 | 2.6635 | 67.65 | 67.65 |
| 502-1-48J | PAIR - MAIN BEARING LOCATORS | 2.6690 | 2.6690 | 67.79 | 67.79 |
| 502-1-48V | PAIR - MAIN BEARING LOCATORS | 2.7141 | 2.7141 | 68.94 | 68.94 |
| 502-1-47S | PAIR - MAIN BEARING LOCATORS | 2.7190 | 2.7200 | 69.06 | 69.09 |
| 502-1-48H | PAIR - MAIN BEARING LOCATORS | 2.7520 | 2.7520 | 69.90 | 69.90 |
| 502-1-48Y | PAIR - MAIN BEARING LOCATORS - AUDI V8 | 2.7565 | 2.7565 | 70.02 | 70.02 |
| 502-1-47U | PAIR - MAIN BEARING LOCATORS | 2.8175 | 2.8180 | 71.57 | 71.58 |
| 502-1-48F | PAIR - MAIN BEARING LOCATORS | 2.8330 | 2.8330 | 71.96 | 71.96 |
| 502-1-48W | PAIR - MAIN BEARING LOCATORS | 2.8331 | 2.8331 | 71.97 | 71.97 |
| 502-1-48X | PAIR - MAIN BEARING LOCATORS | 2.8700 | 2.8700 | 72.90 | 72.90 |
| 502-1-49 | PAIR - MAIN BEARING LOCATORS | 2.9144 | 2.9144 | 74.03 | 74.03 |
| 502-1-47N | PAIR - AMC/CHRYSLER | 2.9396 | 2.9396 | 74.67 | 74.67 |



| PART NUMBER | DESCRIPTION | BORE DIAMETER | | | |
|-------------|---|---------------|-----------|---------|--------|
| | | MIN. INCH | MAX. INCH | MIN. MM | MAX MM |
| 502-1-48K | PAIR - MAIN BEARING LOCATORS - CHRYSLER HEM 426 AND 440 WEDGE | 2.9430 | 2.9430 | 74.75 | 74.75 |
| 502-1-48T | PAIR - MAIN BEARING LOCATORS | 2.9512 | 2.9512 | 74.96 | 74.96 |
| 502-1-49C | PAIR - MAIN BEARING LOCATORS | 2.9527 | 2.9527 | 75.00 | 75.00 |
| 502-1-47J | PAIR - 928 PORSCHE 48 5L | 2.9530 | 2.9530 | 75.26 | 75.26 |
| 502-1-49D | PAIR - MAIN BEARING LOCATORS | 3.0304 | 3.0304 | 77.00 | 77.00 |
| 502-1-47K | PAIR - GM 6.5L/395 | 3.1420 | 3.1420 | 79.81 | 79.81 |
| 502-1-48U | PAIR - MAIN BEARING LOCATORS | 3.2269 | 3.2260 | 81.96 | 81.96 |
| 502-1-47H | PAIR - MAIN BEARING LOCATORS WITH SET SCREWS | 3.3137 | 3.3137 | 84.17 | 84.17 |
| 502-1-48M | PAIR - MAIN BEARING LOCATORS | 3.3454 | 3.3454 | 84.97 | 84.97 |
| 502-1-47V | PAIR - MAIN BEARING LOCATORS | 3.3854 | 3.3862 | 85.99 | 86.01 |
| 502-1-48S | PAIR - MAIN BEARING LOCATORS | 3.4645 | 3.4645 | 88.00 | 88.00 |
| 502-1-48N | PAIR - MAIN BEARING LOCATORS | 3.7068 | 3.7068 | 94.15 | 94.15 |
| 502-1-48P | PAIR - MAIN BEARING LOCATORS | 3.7510 | 3.7510 | 95.28 | 95.28 |
| 502-1-48Q | PAIR - MAIN BEARING LOCATORS | 4.0610 | 4.0610 | 103.15 | 103.15 |

Individual CAM Locators for Performance Fixture (650-3-1)

If Customer Requires Sizes Other than Listed Below, Rottler will Manufacture the Required Size.

Customer Must Provide The Size, Including Tolerance, of the Bore/s the Locator will be used in. Rottler will use this Information to Design the Actual Locator.

Note: Min/Max diameters below refer to minimum and maximum bore diameters that can accept the individual locator



| PART NUMBER | DESCRIPTION | BORE DIAMETER | | | |
|-------------|-------------------------------------|---------------|-----------|---------|--------|
| | | MIN. INCH | MAX. INCH | MIN. MM | MAX MM |
| 650-3-14F | SOLID CAM LOCATOR - SMALL BLOCK | 1.6920 | 1.6930 | 42.98 | 43.00 |
| 650-3-15J | SOLID CAM LOCATOR | 1.7098 | 1.7118 | 43.43 | 43.48 |
| 650-3-15U | SOLID CAM LOCATOR | 1.7945 | 1.7945 | 45.58 | 45.58 |
| 650-3-16E | SOLID CAM LOCATOR | 1.8490 | 1.8500 | 46.96 | 46.99 |
| 650-3-14M | SOLID CAM LOCATOR - SMALL BLOCK | 1.8745 | 1.8750 | 47.61 | 47.63 |
| 650-3-14J | SOLID CAM LOCATOR - BIG BLOCK CHEVY | 1.8795 | 1.8805 | 47.74 | 47.76 |
| 650-3-15L | SOLID CAM LOCATOR | 1.9170 | 1.9170 | 48.69 | 48.69 |
| 650-3-16F | SOLID CAM LOCATOR | 1.9275 | 1.9285 | 48.96 | 48.98 |
| 650-3-16K | SOLID CAM LOCATOR | 1.9275 | 1.9285 | 48.96 | 48.98 |
| 650-3-15E | SOLID CAM LOCATOR | 1.9355 | 1.9375 | 49.16 | 49.21 |
| 650-3-14Y | SOLID CAM LOCATOR | 1.9685 | 1.9685 | 50.00 | 50.00 |
| 650-3-14R | SOLID CAM LOCATOR | 1.9990 | 2.0010 | 50.77 | 50.83 |
| 650-3-14 | SOLID CAM LOCATOR - SMALL BLOCK | 2.0090 | 2.0110 | 51.03 | 51.08 |
| 650-3-14G | SOLID CAM LOCATOR - SMALL BLOCK | 2.0190 | 2.0210 | 51.28 | 51.33 |
| 650-3-15H | SOLID CAM LOCATOR | 2.0292 | 2.0310 | 51.54 | 51.59 |
| 650-3-14N | SOLID CAM LOCATOR | 2.0297 | 2.0317 | 51.55 | 51.61 |
| 650-3-15N | SOLID CAM LOCATOR | 2.0400 | 2.0415 | 51.82 | 51.85 |
| 650-3-15S | SOLID CAM LOCATOR | 2.0450 | 2.0450 | 51.94 | 51.94 |

| PART NUMBER | DESCRIPTION | BORE DIAMETER | | | |
|-------------|--|---------------|-----------|---------|--------|
| | | MIN. INCH | MAX. INCH | MIN. MM | MAX MM |
| 650-3-15R | SOLID CAM LOCATOR | 2.0600 | 2.0615 | 52.32 | 52.36 |
| 650-3-14X | SOLID CAM LOCATOR | 2.0880 | 2.0880 | 53.04 | 53.04 |
| 650-3-16B | SOLID CAM LOCATOR | 2.0888 | 2.0895 | 53.06 | 53.07 |
| 650-3-14P | SOLID CAM LOCATOR | 2.1200 | 2.1210 | 53.85 | 53.87 |
| 650-3-16S | SOLID CAM LOCATOR | 2.1255 | 2.1255 | 53.99 | 53.99 |
| 650-3-14A | SOLID CAM LOCATOR - BIG BLOCK CHEVY | 2.1295 | 2.1305 | 54.09 | 54.11 |
| 650-3-14E | SOLID CAM LOCATOR - SMALL BLOCK | 2.1295 | 2.1305 | 54.09 | 54.11 |
| 650-3-14H | SOLID CAM LOCATOR - BIG BLOCK CHEVY | 2.1395 | 2.1405 | 54.34 | 54.37 |
| 650-3-16J | SOLID CAM LOCATOR | 2.1410 | 2.1420 | 54.38 | 54.41 |
| 650-3-14D | SOLID CAM LOCATOR - SMALL BLOCK | 2.1440 | 2.1450 | 54.46 | 54.48 |
| 650-3-15K | SOLID CAM LOCATOR | 2.1500 | 2.1500 | 54.61 | 54.61 |
| 650-3-15V | SOLID CAM LOCATOR | 2.1580 | 2.1585 | 54.81 | 54.83 |
| 650-3-16P | SOLID CAM LOCATOR | 2.1590 | 2.1600 | 54.84 | 54.86 |
| 650-3-14W | SOLID CAM LOCATOR | 2.1680 | 2.1680 | 55.07 | 55.07 |
| 650-3-16A | SOLID CAM LOCATOR | 2.1680 | 2.1695 | 55.07 | 55.11 |
| 650-3-16N | SOLID CAM LOCATOR | 2.1740 | 2.1750 | 55.22 | 55.25 |
| 650-3-16M | SOLID CAM LOCATOR | 2.1890 | 2.1900 | 55.60 | 55.63 |
| 650-3-14C | SOLID CAM LOCATOR - SMALL BLOCK | 2.2041 | 2.2051 | 55.98 | 56.01 |
| 650-3-14Z | SOLID CAM LOCATOR | 2.2305 | 2.2320 | 56.65 | 56.69 |
| 650-3-16R | SOLID CAM LOCATOR | 2.2455 | 2.2455 | 57.04 | 57.04 |
| 650-3-14B | SOLID CAM LOCATOR - BIG BLOCK FORD | 2.2485 | 2.2505 | 57.11 | 57.16 |
| 650-3-16G | SOLID CAM LOCATOR | 2.2530 | 2.2545 | 57.23 | 57.26 |
| 650-3-14Q | SOLID CAM LOCATOR | 2.2827 | 2.2831 | 57.98 | 57.99 |
| 650-3-15P | SOLID CAM LOCATOR | 2.3000 | 2.3020 | 58.42 | 58.47 |
| 650-3-16T | SOLID CAM LOCATOR | 2.3040 | 2.3040 | 58.52 | 58.52 |
| 650-3-15Z | SOLID CAM LOCATOR | 2.3075 | 2.3085 | 58.61 | 58.64 |
| 650-3-14T | SOLID CAM LOCATOR - BIG BLOCK | 2.3080 | 2.3090 | 58.62 | 58.65 |
| 650-3-15W | SOLID CAM LOCATOR | 2.3161 | 2.3181 | 58.83 | 58.88 |
| 650-3-14S | SOLID CAM LOCATOR | 2.3230 | 2.3240 | 59.00 | 59.03 |
| 650-3-16H | SOLID CAM LOCATOR | 2.3270 | 2.3280 | 59.11 | 59.13 |
| 650-3-15G | SOLID CAM LOCATOR | 2.3280 | 2.3290 | 59.13 | 59.16 |
| 650-3-15X | SOLID CAM LOCATOR | 2.3450 | 2.3460 | 59.56 | 59.59 |
| 650-3-15Q | SOLID CAM LOCATOR | 2.3500 | 2.3515 | 59.69 | 59.73 |
| 650-3-15M | SOLID CAM LOCATOR | 2.3650 | 2.3650 | 60.07 | 60.07 |



| BORE DIAMETER | | | | | |
|---------------|--|-----------|-----------|---------|--------|
| PART NUMBER | DESCRIPTION | MIN. INCH | MAX. INCH | MIN. MM | MAX MM |
| 650-3-15F | SOLID CAM LOCATOR | 2.4000 | 2.4401 | 60.96 | 61.98 |
| 650-3-16D | SOLID CAM LOCATOR | 2.4226 | 2.4226 | 61.53 | 61.53 |
| 650-3-14K | SOLID CAM LOCATOR - BIG BLOCK CHEVY | 2.4780 | 2.4790 | 62.94 | 62.97 |
| 650-3-14U | SOLID CAM LOCATOR | 2.4985 | 2.5005 | 63.46 | 63.51 |
| 650-3-16L | SOLID CAM LOCATOR | 2.5590 | 2.5605 | 65.00 | 65.04 |
| 650-3-14L | SOLID CAM LOCATOR | 2.6733 | 2.6743 | 67.90 | 67.93 |
| 650-3-15Y | SOLID CAM LOCATOR | 2.8305 | 2.8310 | 71.89 | 71.91 |